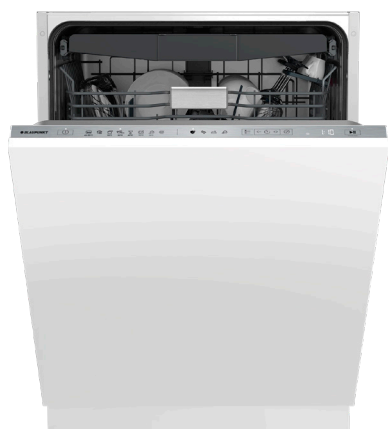


Built-in dishwasher, fully integrated

5VH5X00BXC

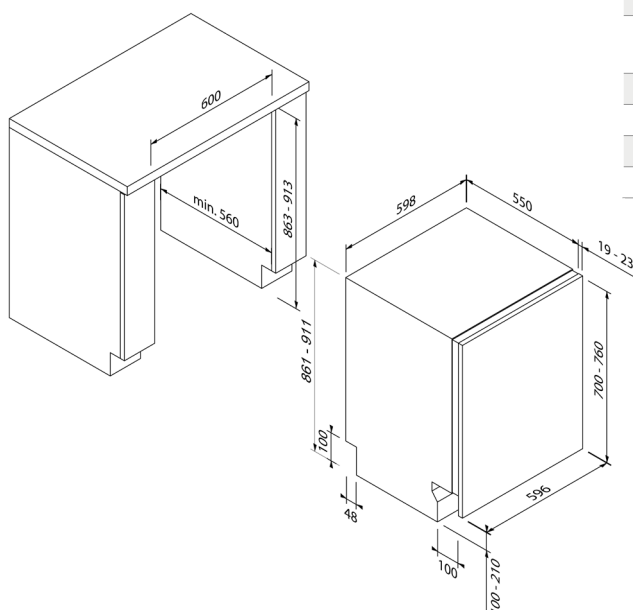
EG016701



Extension for aquastop

5Z951X0

EG01621



Design	
Construction type	Fully integrated
High-mounting	•
Height (in cm)	86
Width (in cm)	60

Consumption data & functions	
Energy consumption kWh ¹	75
Water consumption (in litres) ²	9,5
Noise level (in dB A) re 1 pW	43
Number of washing programmes	8
Washing programme types	Auto 45 °C – 65 °C, Intensive 70 °C, Fast40 °C, Quick 30, Eco 50 °C, Pre-rinse
Special functions	Extra Hygiene

Operating comfort & equipment	
Operation	Touch Control
Number of standard place settings	14
Interior lighting	–
Programme status display	•
Remaining time display	•
Start time preselection (in hours)	1-24
Optical operating display	Info Light
Acoustic program finish signal	•
Cutlery storage	Cutlery drawer + cutlery basket
Height-adjustable upper basket	•
Folding spikes in the upper basket / lower basket	3 / 4
Aqua sensor / load sensor	• / •
Dosing assistant	–
Interior / Base	Stainless steel / Stainless steel
Water protection system	Aquastop
Drag hinge	–

Technical data	
Energy efficiency class	C
Connected load	1,9 kW / 220 – 240 V
Fuse protection (in A)	10 A
Frequency (in Hz)	50 Hz
Plug type	Type F
Length of connection cable (in cm)	150 cm
Net weight (in KG)	40,0 kg
Gross weight (in KG)	43,0 kg
Dimensions of the packaged appliance (H x W x D)	89,5 x 65,0 x 67,0 cm
Appliance dimensions (H x W x D)	86,1 x 59,8 x 55,0 cm
Recess dimensions (H x W x D)	86,3 – 91,3 x 60,0 x 55,0 cm
Permissible front weight	5,5 – 9,0 kg
EAN	4251003110272