

Built-in oven



5B36N0250

EG1233



Additional accessories available

Universal pan (black)

5Z 36BA50

EG12331

Vario-Clip

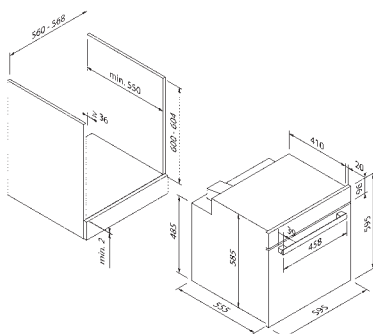
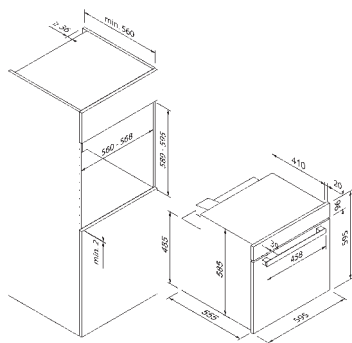
5Z 36VC50

EG12332

Multi-use wire shelf

5Z36CR10X0

EG12333



Design	
Colour	Stainless steel
Operating modes & functions	
Number of heating types	8
Top / bottom heat	•/•
Hot air / Hot air Eco	•/•
Circulation	–
Circulation grill	•
Large area grill	•
Small area grill	•
Pizza level	–
Defrosting	•
Quick heating	•
Combination functions	–
Operating comfort & equipment	
Operation	Retractable control knob
Display / Colour	Digital / White
Door damping	–
Temperature recommendation	–
Temperature recommendation	•
Child lock	•
Cleaning	–
Water tank volume (in litres)	–
Cooking chamber capacity (in litres)	70

Accessories included**	
Accessories included**	Multi-use wire shelf, Enamelled baking tray, 1-way telescopic extension

Technical data	
Energy efficiency class	A
Connected load	3,0 kW / 220 – 240 V
Fuse protection (in A)	16 A
Frequency (in Hz)	50;60 Hz
Plug type	Type F
Length of connection cable (in cm)	100 cm
Net weight (in KG)	38 kg
Gross weight (in KG)	44 kg
Dimensions of the packaged appliance (H x W x D)	67,1 x 72,0 x 65,0 cm
Appliance dimensions (H x W x D)	59,5 x 59,5 x 57,5 cm
Installation dimensions (H x W x D)	59,0 x 56,0 x 55,0 cm
EAN	4251003102673

Note	
Note	