

5BD32150 brushed steel
built-in/under single oven



5BD32150 Stainless steel

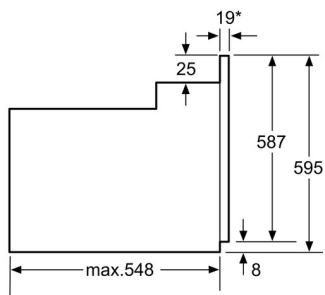
- heating system multifunction (6 heating modes: Full width variable grill, Half width variable grill, Circulating Air, Hot air grilling, Top/bottom heat, Bottom heat)
- Temperature range 50 °C - 270 °C
- Electronic clock
- Child lock
- Retractable controls
- Cavity volume: 66 l
- Interior lighting
- Full glass inner door
- Enamelled cavity (brown)
- Oven cavity with removable rack supports
- 1 x combination grid, 1 x universal pan
- Telescopic shelf rails as optional accessory
- Integral cooling fan
- Removable oven door for easy-cleaning
- Total connected load electric: 2.8 KW
- Appliance dimension (hxwxh): 595 mm x 595 mm x 548 mm
- Cable with plug (1.00 m)
- Energy efficiency rating (acc. EU Nr. 65/2014):
Energy consumption per cycle in conventional mode: 0.96 kwh
Energy consumption per cycle in fan-forced convection mode: 0.88 kwh
Number of cavities: 1
Heat source: electrical
Cavity volume: 66 l

Optional accessories

- 5Z11BA11 Alu baking tray
- 5Z11BE11 Enamel baking tray
- 5Z11BU11 Universal pan
- 5Z11KR11 Combination grid
- 5Z11TA12 Telescoping extension rails 2-fold
- 5Z11TA14 Telescoping extension rails 3-fold

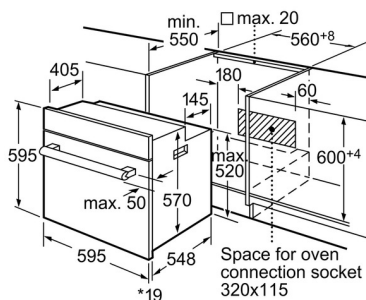
4251003100860

5BD32150 brushed steel built-in/under single oven



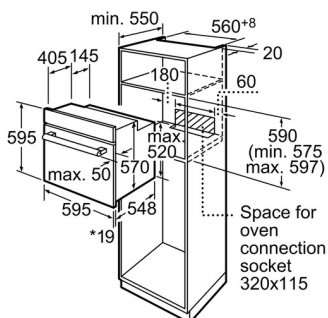
* 20 mm for metal fascias

Dimensions in mm



* 20 mm for metal fascias

Measurements in mm



* 20 mm for metal fascias

Measurements in mm

Characteristics

Color / Material Front: Stainless steel

Built-in / Free-standing: Built-in

Integrated Cleaning system: No

Required niche size for installation (HxWxD): 575-597 x 560 x 550

Dimensions of the product (mm): 595 x 595 x 548

Control Panel Material: Metal

Door Material: Glass

Net weight (kg): 30.0

Usable volume of cavity (l): 66

Cooking method: Bottom heat, Circulating air, Conventional heat,

Full width variable grill, Half width variable grill, Hot air grilling

First cavity material: Enamelled

Temperature control: mechanical

Number of interior lights: 1

Approval certificates: CE, KEMA

Length electrical supply cord (cm): 100

Interior Lights - cavity 1: 1

Pull-out system: Accessory

Clock function: Alarm, Off, On

Included accessories cavity 1: 1 x combination grid, 1 x universal pan

Broil Element Wattages cavity 1 (W): 2800

Consumption and connection features

Energy consumption conventional (kWh) - cavity 1: 0.89

Energy consumption forced air convection (kWh) - cavity 1: 0.89

Electrical connection rating (W): 2800

Current (A): 13

Voltage (V): 220-240

Frequency (Hz): 50; 60

Plug type: GARDY plug w/ earthing

Universal Product Code:

Color / Material Front: Stainless steel

Alternative colors available:

Energy input: Electric

Approval certificates: CE, KEMA

Length of electrical supply cord (in):

Required cutout/niche size for installation (in): x x

Dimensions of the packed product (in): 26.37 x 25.39 x 26.77

Net weight (lbs): 67

Gross weight (lbs): 72

Length electrical supply cord (cm): 100

Required niche size for installation (HxWxD): 575-597 x 560 x 550

Dimensions of the product (mm): 595 x 595 x 548

Net weight (kg): 30.0

Gross weight (kg): 33.0

2016-09-02