



5BD32451 brushed steel
Electric built-in oven



5BD32451 Stainless steel

- heating system multifunction (5 heating modes: Hot air grilling, Full width variable grill, Top/bottom heat, Bottom heat, 3D Hot air)
- Temperature range 50 °C - 270 °C
- Electronic clock
- Child lock
- Fast heat
- Retractable controls
- Cavity volume: 66 l
- Interior lighting
- Full glass inner door
- Enamelled cavity (brown)
- direct coated catalytic liners: ceiling, back panel, side liners
- Oven cavity with removable rack supports
- 1 x combination grid, 1 x universal pan
- Telescopic shelf rails as optional accessory
- Cooling fan
- Removable oven door for easy-cleaning
- Total connected load electric: 3.6 KW
- Appliance dimension (hxwx): 595 mm x 595 mm x 548 mm
- Cable with plug (1.00 m)
- Energy efficiency rating (acc. EU Nr. 65/2014):

Energy consumption per cycle in conventional mode: 0.98 kwh

Energy consumption per cycle in fan-forced convection mode: 0.82 kwh

Number of cavities: 1

Heat source: electrical

Cavity volume: 66 l

Optional accessories

5Z11BA11 Alu baking tray

5Z11BE11 Enamel baking tray

5Z11BU11 Universal pan

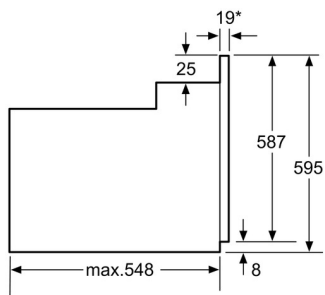
5Z11KR11 Combination grid

5Z11TA12 Telescoping extension rails 2-fold

5Z11TA14 Telescoping extension rails 3-fold

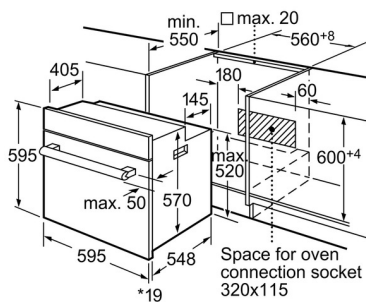
4251003100877

5BD32451 brushed steel Electric built-in oven



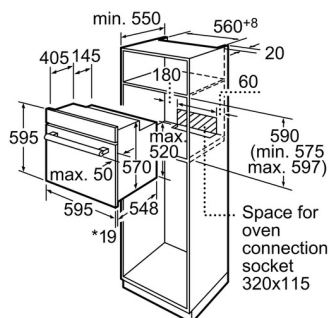
* 20 mm for metal fascias

Dimensions in mm



* 20 mm for metal fascias

Measurements in mm



* 20 mm for metal fascias

Measurements in mm

Characteristics

Color / Material Front: Stainless steel

Built-in / Free-standing: Built-in

Integrated Cleaning system: No

Required niche size for installation (HxWxD): 575-597 x 560 x 550

Dimensions of the product (mm): 595 x 595 x 548

Control Panel Material: Metal

Door Material: Glass

Net weight (kg): 31.0

Usable volume of cavity (l): 66

Cooking method: 3D hot air, Bottom heat, Conventional heat, Full

width variable grill, Hot air grilling

First cavity material: Enamelled

Temperature control: mechanical

Number of interior lights: 1

Approval certificates: CE, KEMA

Length electrical supply cord (cm): 100

Interior Lights - cavity 1: 1

Pull-out system: Accessory

Clock function: Alarm, Off, On

Included accessories cavity 1: 1 x combination grid, 1 x universal pan

Broil Element Wattages cavity 1 (W): 2800

Consumption and connection features

Energy consumption conventional (kWh) - cavity 1: 0.89

Energy consumption forced air convection (kWh) - cavity 1: 0.79

Electrical connection rating (W): 3600

Current (A): 16

Voltage (V): 220-240

Frequency (Hz): 60; 50

Plug type: GARDY plug w/ earthing

Universal Product Code:

Color / Material Front: Stainless steel

Alternative colors available:

Energy input: Electric

Approval certificates: CE, KEMA

Length of electrical supply cord (in):

Required cutout/niche size for installation (in): x x

Dimensions of the packed product (in): 26.37 x 25.66 x 26.85

Net weight (lbs): 69

Gross weight (lbs): 74

Length electrical supply cord (cm): 100

Required niche size for installation (HxWxD): 575-597 x 560 x 550

Dimensions of the product (mm): 595 x 595 x 548

Net weight (kg): 31.0

Gross weight (kg): 34.0

2016-09-02