



5HD31150 brushed steel
Built-under cooker



5HD31150 Stainless steel

- heating system multifunction (6 heating modes: Top/bottom heat, Bottom heat, Hot air grilling, Circulating Air, Full width variable grill, Half width variable grill)
- Temperature range 50 °C - 270 °C
- Retractable controls
- infinitely adjustable cooking zones
- Cavity volume: 66 l
- Interior lighting
- Full glass inner door
- Enamelled cavity (brown)
- Oven cavity with removable rack supports
- 1 x combination grid, 1 x universal pan
- Telescopic shelf rails as optional accessory
- Integral cooling fan
- Removable oven door for easy-cleaning
- Total connected load electric: 10.6 KW
- Appliance dimension (hxxwxd): 595 mm x 595 mm x 548 mm
- Energy efficiency rating (acc. EU Nr. 65/2014):

Energy consumption per cycle in conventional mode: 0.96 kwh

Energy consumption per cycle in fan-forced convection mode: 0.88 kwh

Number of cavities: 1

Heat source: electrical

Cavity volume: 66 l

Optional accessories

5Z11BA11 Alu baking tray

5Z11BE11 Enamel baking tray

5Z11BU11 Universal pan

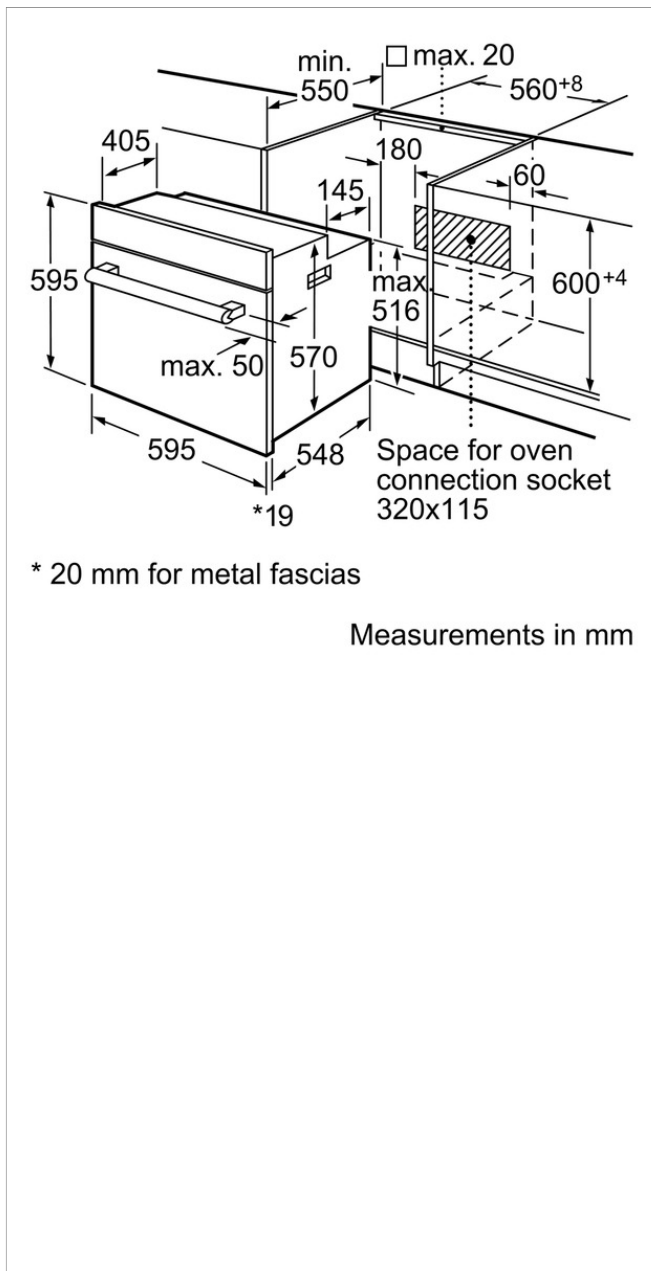
5Z11KR11 Combination grid

5Z11TA12 Telescoping extension rails 2-fold

5Z11TA14 Telescoping extension rails 3-fold

4251003100822

5HD31150 brushed steel Built-under cooker



Characteristics

Color / Material Front: Stainless steel
 Built-in / Free-standing: Built-in
 Integrated Cleaning system: No
 Required niche size for installation (HxWxD): 600 x 560 x 550
 Dimensions of the product (mm): 595 x 595 x 548
 Control Panel Material: Metal
 Door Material: Glass
 Net weight (kg): 31.0
 Usable volume of cavity (l): 66
 Cooking method: Bottom heat, Circulating air, Conventional heat, Full width variable grill, Half width variable grill, Hot air grilling
 First cavity material: Enamelled
 Temperature control: mechanical
 Number of interior lights: 1
 Approval certificates: CE, KEMA
 Interior Lights - cavity 1: 1
 Pull-out system: Accessory
 Included accessories cavity 1: 1 x combination grid, 1 x universal pan
 Broil Element Wattages cavity 1 (W): 2800

Consumption and connection features

Energy consumption conventional (kWh) - cavity 1: 0.89
 Energy consumption forced air convection (kWh) - cavity 1: 0.89
 Electrical connection rating (W): 10600
 Current (A): 3*16
 Voltage (V): 220-240
 Frequency (Hz): 60; 50
 Plug type: fixed connection, no plug
 Universal Product Code:
 Color / Material Front: Stainless steel
 Alternative colors available:
 Energy input: Electric
 Approval certificates: CE, KEMA
 Length of electrical supply cord (in):
 Required cutout/niche size for installation (in): x x
 Dimensions of the packed product (in): 26.18 x 25.39 x 26.77
 Net weight (lbs): 69
 Gross weight (lbs): 74
 Length electrical supply cord (cm):
 Required niche size for installation (HxWxD): 600 x 560 x 550
 Dimensions of the product (mm): 595 x 595 x 548
 Net weight (kg): 31.0
 Gross weight (kg): 34.0