



5MA46500 brushed steel
Built-in microwave oven with grill



5MA46500 Stainless steel

Design:

- 44 l Stainless steel
- Retractable controls Rotary Control
- Bar handle
- Drop-down door
- Control panel material: Glass
- LCD
- red
- Time-of-day display

Comfort:

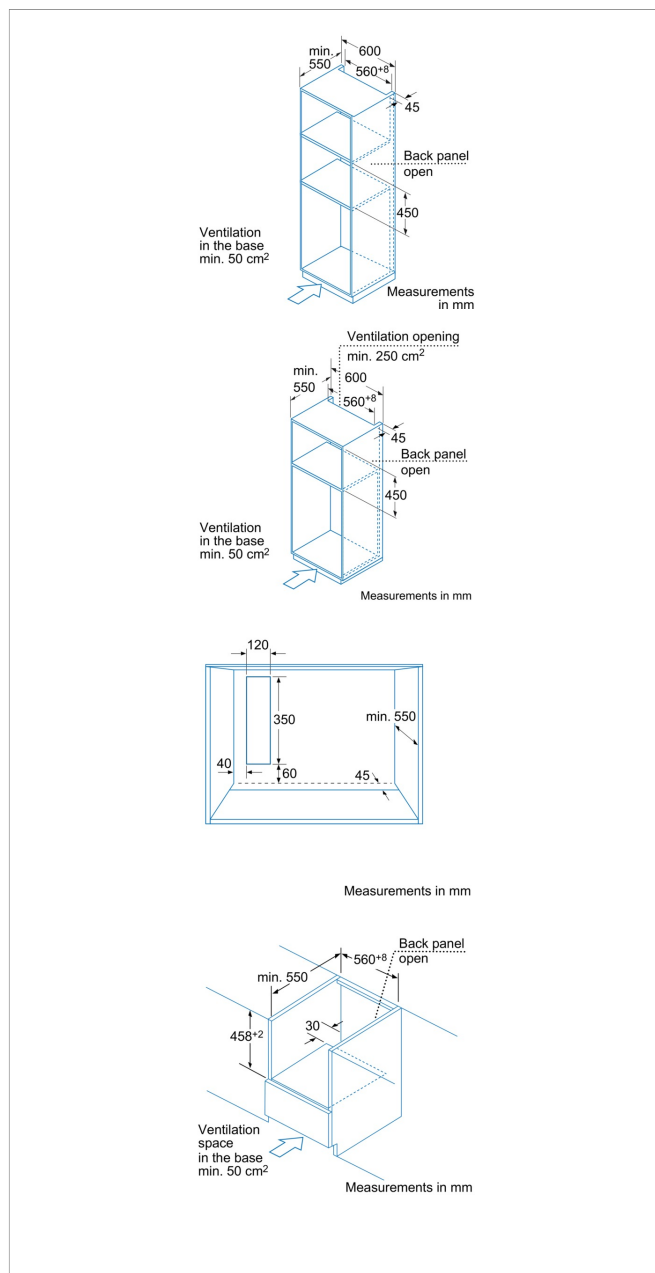
- Microwave and grill for separate use
- Heating type: Hot air, Surface grill, Intensive heat, Fan air grill system, Microwave, Combined operation
- User-friendly electronics with push-buttons and pop-out control.
- Weight automatic cooking and defrost programmes
- 4 Automatic weight defrosting programmes and 3 automatic weight cooking programmes
- cookControl - 15 automatic programmes
- Automatic fast heat up function, Key button
- Key button (child-safety locking device)
- 36 cm Metal

Microwave and heating mode:

- 900 W Hot air, Surface grill, Intensive heat, Fan air grill system, Microwave, Combined operation
- 5 settings: 900 W, 600W, 360W, 180W, 90W
- Grill rating: 1750 W
- Circulating air grill power: 1750 W
- Max. temp., circulat./hot air: 230 °C
- Max. temp, fan air grill sys.: 230 °C

4251003100112

5MA46500 brushed steel Built-in microwave oven with grill



Characteristics

Type of micro-wave oven: MW-Combi
 Type of control: Electronic
 Color / Material Front: Stainless steel
 Dimensions of the product (mm): 454 x 594 x 570
 Cavity dimensions (mm): 250 x 420 x 420
 Length electrical supply cord (cm): 180
 Net weight (kg): 36.0
 Gross weight (kg): 40.0
 Maximum micro-wave power (W): 900
 Number of Power Levels: 5
 Turntable: Yes
 Heating type: Combi microwave constant, Full width grill, Hot Air, Hot air grilling, Intensive heat, Microwave
 Cavity material: Stainless steel
 Door opening: Handle
 Clock: Yes
 Included accessories: 1 x grid high, 1 x grid flat
 Main colour of product: Stainless steel
 Height of the product (mm): 454
 Width of the product (mm): 594
 Depth of the product: 570

Consumption and connection features

Maximum micro-wave power (W): 900
 Power of the booster function (W):
 Connection Rating (W): 3600
 Current (A): 16
 Voltage (V): 220-230
 Frequency (Hz): 50
 Plug type: GARDY plug w/ earthing
 Universal Product Code:
 Color / Material Front: Stainless steel
 Alternative colors available:
 Approval certificates: CE, VDE
 Length of electrical supply cord (in):
 Required cutout/niche size for installation (in): x x
 Appliance Dimensions (h x w x d) (in): x x
 Dimensions of the packed product (in): 21.25 x 25.98 x 27.55
 Net weight (lbs): 79
 Gross weight (lbs): 87

2016-09-02