



5DA36460

EG018200



Additional accessories available

Activated carbon filter

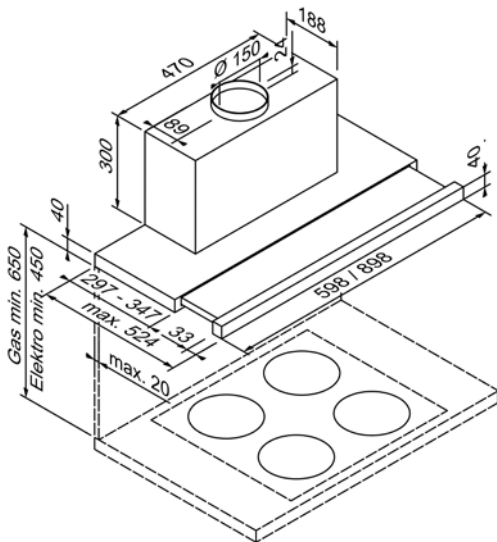
5Z9141X1

EG01820

Regenerable activated carbon filter

5Z9141X2

EG01821



Design	
Colour	Black glass / Stainless steel
Construction type	Telescopic hood for wall unit
Width (in cm)	60

Operating modes & power	
Extraction mode / circulation mode	•/•
Fan efficiency class	A
Light efficiency class	B
Grease filter efficiency class	B
Extraction capacity max. normal / intensive level ¹	474 / 672 m ³ /h
Circulation capacity max. normal / intensive level ¹	455 / 525 m ³ /h

Operating comfort & equipment	
Operation	Touch Control
Lighting	2 x 2,2 W LED
Power levels	3 + 1 Intensive level
Intensive levels with automatic reset	•
Multi Control ¹	-
Filter saturation indicator	•

Accessories included**	
Accessories included	Metal grease filter, dishwasher-safe

Technical data	
Energy efficiency class	A
Connected load	244,4W / 220-240 V
Fuse protection (in A)	10 A
Frequency (in Hz)	50 Hz
Plug type	Type F
Length of connection cable (in cm)	100 cm
Net weight (in KG)	9,9 kg
Gross weight (in KG)	13,4 kg
Dimensions of the packaged appliance (H x W x D)	41,0 x 66,0 x 42,5 cm
Appliance dimensions, extraction (H x W x D)	34,0 x 59,8 x 33,0 cm
Appliance dimensions, circulation (H x W x D)	34,0 x 59,8 x 33,0 cm
EAN	4251003109306

Note	
Note	