

Ceiling fan



5DD72557

EG1836

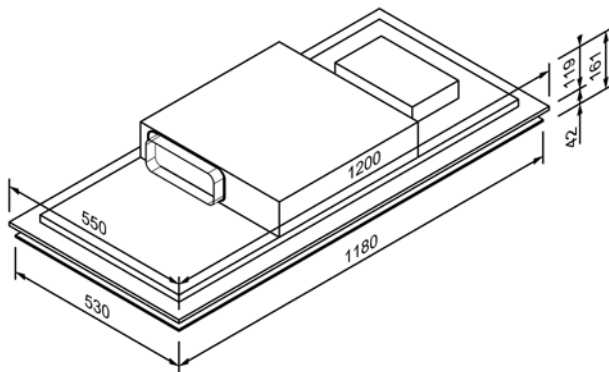


Additional accessories available

Activated carbon filter

5Z9139X1

EG18361



Design	
Colour	Black glass / Black painted stainless steel
Construction type	Ceiling fan
Width (in cm)	120

Operating modes & power	
Extraction mode / circulation mode	•/•
Fan efficiency class	A
Light efficiency class	A
Grease filter efficiency class	C
Extraction capacity max. normal / intensive level ¹	566 / 703m ³ /h
Circulation capacity max. normal / intensive level ¹	413 / 519m ³ /h

Operating comfort & equipment	
Operation	Remote control
Lighting	2 × 4,2 W LED
Power levels	5 + 1 Intensive level
Intensive levels with automatic reset	•
Multi Control ¹	•
Filter saturation indicator	–

Accessories included**	
Accessories included	Metal grease filter, dishwasher-safe, Remote control

Technical data	
Energy efficiency class	A+
Connected load	173,4W / 220-240 V
Fuse protection (in A)	10 A
Frequency (in Hz)	50;60 Hz
Plug type	
Length of connection cable (in cm)	150 cm
Net weight (in KG)	24,02 kg
Gross weight (in KG)	25,01 kg
Dimensions of the packaged appliance (H × W × D)	26,0 × 130,5 × 55,0 cm
Appliance dimensions, extraction (H × W × D)	16,1 × 120,0 × 55,0 cm
Appliance dimensions, circulation (H × W × D)	16,1 × 120,0 × 55,0 cm
EAN	4251003108125

Note	
Note	