



5VF400NP  
60 cm dishwasher  
Fully integrated



#### 5VF400NP N/A

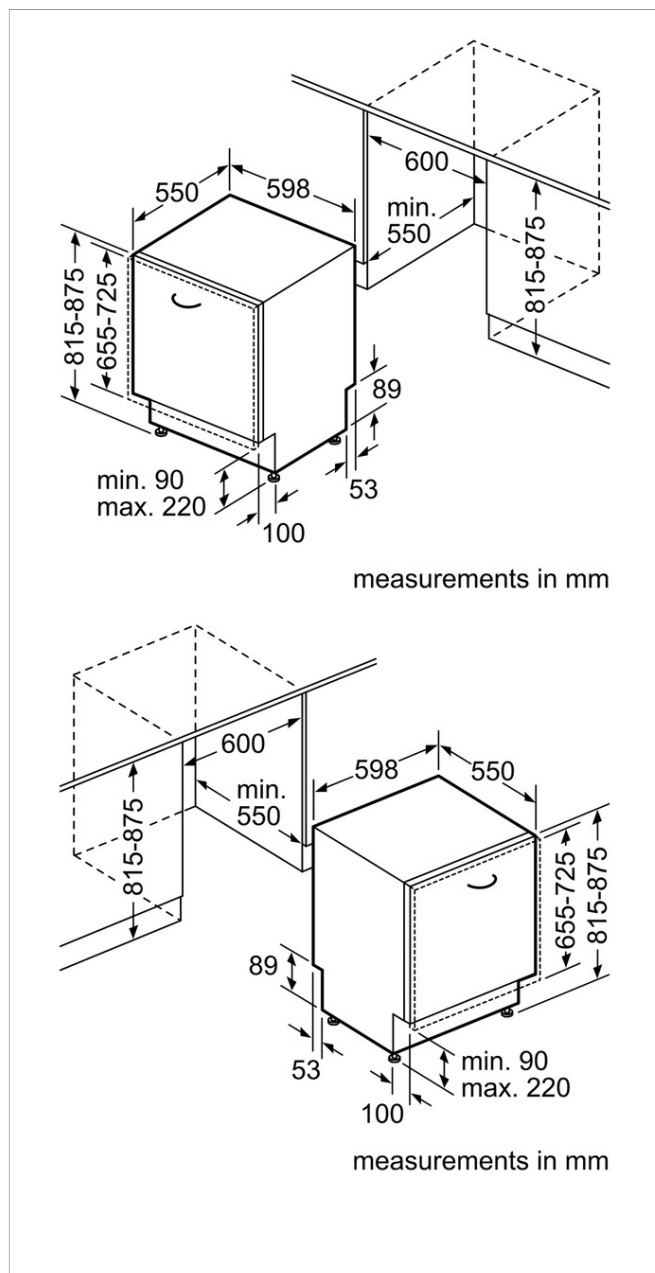
- Capacity: 12 place settings
- Energy Efficiency Class: A+
- Energy consumption in programme Eco 50: 290 kWh per year, based on 280 standard cleaning cycles using cold water fill and the consumption of the low power modes. Actual energy consumption will depend on how the appliance is used.
- Energy consumption in programme Eco 50: 1.02 kWh
- Power consumption off-mode / left-on mode: 0.1 W / 0.1 W
- Water consumption in programme Eco 50: 3360 litres per year, based on 280 standard cleaning cycles. Actual water consumption will depend on how the appliance is used.
- Water consumption in programme Eco 50: 12 l
- Drying efficiency class A on a scale from G (least efficient) to A (most efficient)
- The information relates to the programme Eco 50. This programme is suitable to clean normally soiled tableware and is the most efficient programme in terms of combined energy and water consumption.
- Programme time in programme Eco 50: 210 min
- Duration of the left-on mode: 0 min
- Noise level: 52 dB(A) re 1 pW
- Fully integrated
- 4 programmes: Normal 65 °C, Eco 50 °C, Quick Wash 45 °C, Pre Rinse
- 3 cleaning temperatures
- Flow-through water heater with integrated pumping system
- DosageAssist
- BLDC drive
- Load-Sensor
- Detergent Automation
- Alternating spray
- Regenerative electronics
- Self-cleaning filter system with 3-fold corrugated filter
- Interior tub material: Stainless Steel/Polinox
- Push button top controls
- LED programme status indicator
- Acoustic end of cycle indicator
- Colour of LED: red
- LED salt refill indicator
- LED rinse-aid refill indicator
- Cutlery basket in bottom basket
- 2 cup shelves in top basket
- Glass holder in top basket
- Multiple water protection
- ServoLock
- Glass care system
- Front-adjustable rear foot
- Incl. Steam protection plate
- Product dimensions (HxWxD): 81.5 x 59.8 x 55 cm

4251003100709

## 5VF400NP

### 60 cm dishwasher

### Fully integrated



#### Characteristics

Cleaning performance: A  
 Water consumption (l): 12.0  
 Built-in / Free-standing: Built-in  
 Removable top: No  
 Door panel options: Not possible  
 Height with worktop (mm): 815  
 Height of the product (mm): 815  
 Adjustable feet: Yes - front only  
 Maximum adjustability feet (mm): 60  
 Net weight (kg): 30.0  
 Gross weight (kg): 32.0  
 Connection Rating (W): 2400  
 Current (A): 10  
 Voltage (V): 220-240  
 Frequency (Hz): 50; 60  
 Length electrical supply cord (cm): 175  
 Plug type: Gardy plug w/ earthing  
 Length inlet hose (cm): 165  
 Length outlet hose (cm): 190.0  
 Hidden heating element: Yes  
 : No  
 Water softener (kWh): Yes  
 Top basket type: Normal  
 Adjustable upper basket: No  
 Upper rack cup shelf: 2  
 Bottom basket type: Normal  
 3rd Rack: None  
 Silverware Basket: Standard  
 Included accessories 2: vapor barrier plate  
 Number of place settings: 12  
 Color / Material panel: Black

#### Consumption and connection features

Brand: Blaupunkt  
 Product name / Commercial code: 5VF400NP  
 Number of place settings: 12  
 Energy efficiency class (2010/30/EC): A+  
 Energy consumption annual (kWh/annum) - NEW (2010/30/EC): 290  
 Energy consumption (kWh): 1.02  
 Power consumption in left-on mode (W) - NEW (2010/30/EC): 0.10  
 Power consumption in off-mode (W) - NEW (2010/30/EC): 0.10  
 Water consumption annual (l/annum) - NEW (2010/30/EC): 3360  
 Drying performance: A  
 Reference programme: Eco  
 Total cycle time of reference programme (min): 210  
 Duration of the left-on mode - NEW (2012/30/EC) (min): 0  
 Noise level (dB): 52  
 Installation typology: Full-integrated