



5VF402NP
60 cm dishwasher
Fully integrated



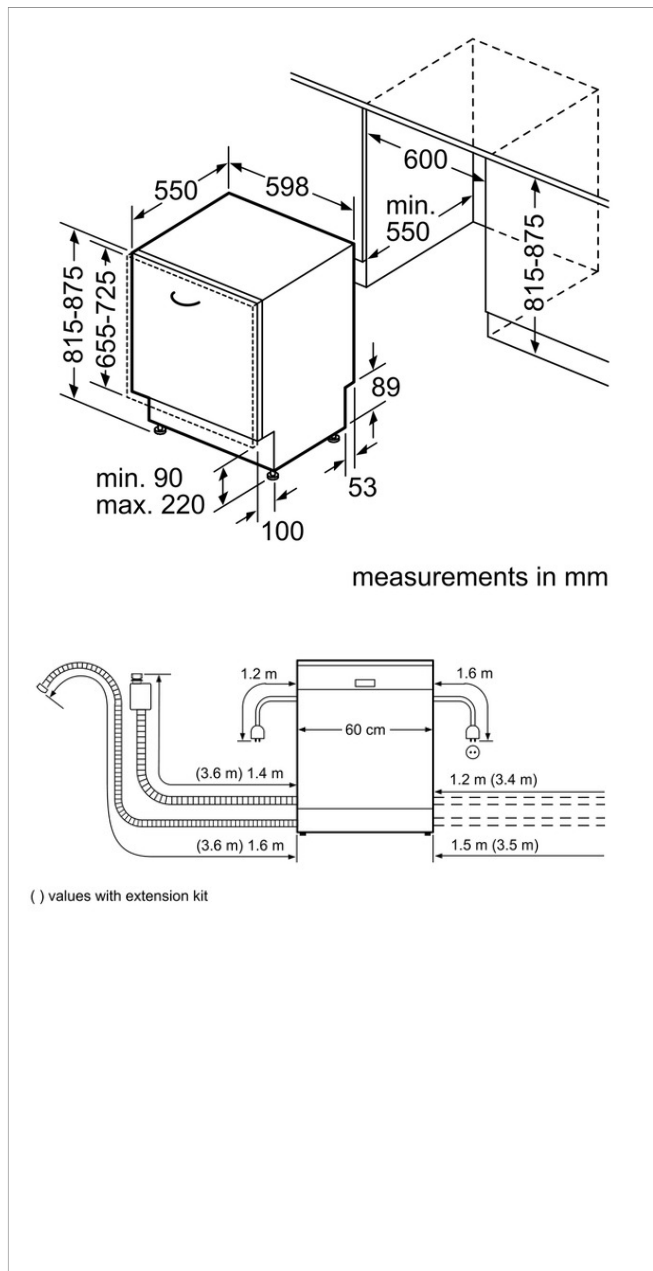
5VF402NP N/A

- Capacity: 12 place settings
- Energy Efficiency Class: A+
- Energy consumption in programme Eco 50: 290 kwhper year, based on 280 standard cleaning cycles using cold water fill and the consumption of the low power modes. Actual energy consumption will depend on how the appliance is used.
- Energy consumption in programme Eco 50: 1.02 kwh
- Power consumption off-mode / left-on mode: 0.1 W / 0.1 W
- Water consumption in programme Eco 50: 3360 litres per year, based on 280 standard cleaning cycles. Actual water consumption will depend on how the appliance is used.
- Water consumption in programme Eco 50: 12 l
- Drying efficiency class A on a scale from G (least efficient) to A (most efficient)
- The information relates to the programme Eco 50. This programme is suitable to clean normally soiled tableware and is the most efficient programme in terms of combined energy and water consumption.
- Programme time in programme Eco 50: 210 min
- Duration of the left-on mode: 0 min
- Noise level: 48 dB(A) re 1 pW
- Fully integrated
- 4 programmes: Intensive 70 °C, Normal 65 °C, Eco 50 °C, Quick Wash 45 °C
- 1 special option: Half Load
- 4 cleaning temperatures
- Flow-through water heater with integrated pumping system
- DosageAssist
- BLDC drive
- Aqua-Sensor, Load-Sensor
- Detergent Automation
- Alternating spray
- Regenerative electronics
- Self-cleaning filter system with 3-fold corrugated filter
- Interior tub material: Stainless Steel/Polinox
- Push button top controls
- LED programme status indicator
- Acoustic end of cycle indicator
- Colour of LED: red
- Electronic delay timer: 3, 6 or 9 hours
- LED salt refill indicator
- LED rinse-aid refill indicator
- Cutlery basket in bottom basket
- 2 cup shelves in top basket
- Glass holder in top basket
- Aqua-Stop with guarantee
- ServoLock
- Glass care system
- Front-adjustable rear foot
- Incl. Steam protection plate
- Product dimensions (HxWxD): 81.5 x 59.8 x 55 cm

5VF402NP

60 cm dishwasher

Fully integrated



Characteristics

Cleaning performance: A
 Water consumption (l): 12.0
 Built-in / Free-standing: Built-in
 Removable top: No
 Door panel options: Not possible
 Height with worktop (mm): 815
 Height of the product (mm): 815
 Adjustable feet: Yes - front only
 Maximum adjustability feet (mm): 60
 Net weight (kg): 33.0
 Gross weight (kg): 35.0
 Connection Rating (W): 2400
 Current (A): 10
 Voltage (V): 220-240
 Frequency (Hz): 50; 60
 Length electrical supply cord (cm): 175
 Plug type: Gardy plug w/ earthing
 Length inlet hose (cm): 165
 Length outlet hose (cm): 190.0
 Hidden heating element: Yes
 Water protection system description: Triple water protection 24h : No
 Water softener (kWh): Yes
 Top basket type: Normal
 Adjustable upper basket: No
 Upper rack cup shelf: 2
 Bottom basket type: Normal
 3rd Rack: None
 Silverware Basket: Standard
 Included accessories 2: vapor barrier plate
 Number of place settings: 12
 Color / Material panel: Black

Consumption and connection features

Brand: Blaupunkt
 Product name / Commercial code: 5VF402NP
 Number of place settings: 12
 Energy efficiency class (2010/30/EC): A+
 Energy consumption annual (kWh/annum) - NEW (2010/30/EC): 290
 Energy consumption (kWh): 1.02
 Power consumption in left-on mode (W) - NEW (2010/30/EC): 0.10
 Power consumption in off-mode (W) - NEW (2010/30/EC): 0.10
 Water consumption annual (l/annum) - NEW (2010/30/EC): 3360
 Drying performance: A
 Reference programme: Eco
 Total cycle time of reference programme (min): 210
 Duration of the left-on mode - NEW (2012/30/EC) (min): 0
 Noise level (dB): 48