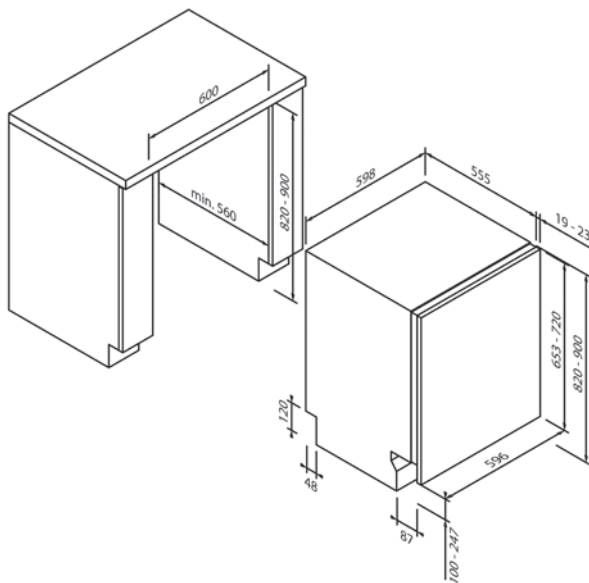




5VF4X00BSD

EG016500



| Design | |
|-------------------|------------------|
| Construction type | Fully integrated |
| High-mounting | • |
| Height (in cm) | 82 |
| Width (in cm) | 60 |

| Consumption data & functions | |
|--|---|
| Energy consumption kWh ¹ | 85 |
| Water consumption (in litres) ² | 9,5 |
| Noise level (in dB A) re 1 pW | 43 |
| Number of washing programmes | 10 |
| Washing programme types | Eco 50 °C, Auto 50 °C – 60 °C, Intensive 65 °C, Hygiene, Quick 30, Fine |
| Special functions | Machine cleaning programme , Half load , Extra dry, Extra Speed |

| Operating comfort & equipment | |
|---|-----------------------------------|
| Operation | Programme selection button |
| Number of standard place settings | 14 |
| Interior lighting | – |
| Programme status display | • |
| Remaining time display | • |
| Start time preselection (in hours) | 1-12 |
| Optical operating display | Info Light |
| Acoustic program finish signal | • |
| Cutlery storage | Cutlery drawer |
| Height-adjustable upper basket | • |
| Folding spikes in the upper basket / lower basket | – / 4 |
| Aqua sensor / load sensor | • / • |
| Dosing assistant | – |
| Interior / Base | Stainless steel / Stainless steel |
| Water protection system | Aquastop |
| Drag hinge | – |

| Technical data | |
|--|----------------------------|
| Energy efficiency class | D |
| Connected load | 1,9kW / 220-240 V |
| Fuse protection (in A) | 10 A |
| Frequency (in Hz) | 50 Hz |
| Plug type | Type F |
| Length of connection cable (in cm) | 120 cm |
| Net weight (in KG) | 35,5 kg |
| Gross weight (in KG) | 37,5 kg |
| Dimensions of the packaged appliance (H x W x D) | 91,0 x 62,5 x 67,5 cm |
| Appliance dimensions (H x W x D) | 82,0 x 59,8 x 55,0 cm |
| Recess dimensions (H x W x D) | 82,0-90,0 x 60,0 x 55,0 cm |
| EAN | 4251003109085 |