



**5VF4X00EME
Dishwasher
fully integratable 60cm**

Power, consumption

- Energy efficiency class: D
- Capacity: 13 place settings
- Energy / water consumption: 0.837 kWh / 11 l
- Noise: 47 dB (A) re 1 pW
- Connected loads: 1760-2100 W
- Voltage: 220-240 V

Equipment

- 6 programs: Intensive 65 °C, Universal 55 °C, Eco 50 °C, Glass 50 °C, 90Min 55 °C, Rapid 40 °C
- hidden water heater
- Audible programme end signal
- Aquastop

Design, comfort

- Can be fully integrated behind a furniture front
- Control panel in the top of the inner door
- Electrical time preselection:
 - 1 - 24 hours / remaining time display
 - Electrical refill indicator for salt/rinse aid
 - Digital Display
- Program status display (LED)
- 3-fold wave filter system
- Cup tray in upper basket
- Height-adjustable upper basket 2-stage
- Folding spine rows in the lower basket
- Stainless steel interior

Dimensions H x W x D

- Unit dimensions: 81.5 x 59.8 x 55.0 cm
- niche dimensions: 82.0-87.0 x 60.0 x 58.0 cm
- Unit dimensions (packed): 89.0 x 64.5 x 64.5 cm

- Net weight (kg): 35,0
- Gross weight (kg): 42,0

Optional accessoires:

(This section is currently empty in the provided image.)

Equipment features:

- Cleaning class: A
- Design: Built-in
- Adjustable feet: Yes-front only
- Auto open door
- Power cord length (cm): 150
- Length of supply hose (cm): 150
- Drain hose length (cm): 140
- hidden water heater: Yes

Available colour variations:

(This section is currently empty in the provided image.)

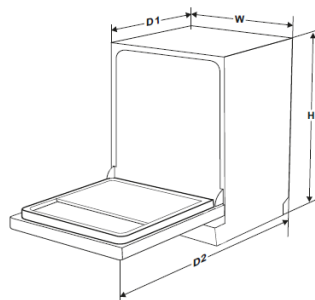
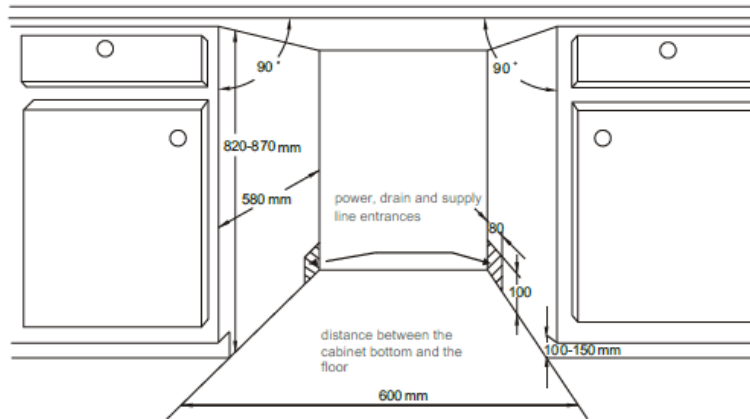
Consumption and connection values:

- Comparison program: Eco
- Comparison programme duration (min): 198
- Sound power (dB(A) re 1 pW): 47
- Type of installation: Fully integratable
- Fuse protection (A): 10
- Voltage (V): 220-240
- Frequency (Hz): 50

Accessoires:

- Salt Filler

EAN: 4251003105421



Height (H)	815 mm/815 – 875 mm
Width (W)	598 mm
Depth (D1)	550 mm (with door closed)
Depth (D2)	1150 mm (with door open 90°)