



A+++

Blaupunkt
5VH6X00EBE
Dishwasher fully integrated

Predecessor:

Successor:

EAN code:
4251003105445

sales programme:

fully-integrated dishwasher, 60 cm, XXL 5VH6X00EBE

- Capacity: 13 place settings
- Energy Efficiency Class: A+++ (on an Energy Efficiency Class scale from A+++ to D)
- Energy/Water¹: 234 kWh/2660 l
- Energy/Water²: 0.83 kWh/9.5 l
- Drying efficiency class A on a scale from G (least efficient) to A (most efficient)
- Programme time in programme Eco 50 °C: 235 min
- Noise level: 44 dB(A) re 1 pW
- Energy consumption when connected to hot water in programme Eco 50 °C: 0.7 kWh
- 6 programmes: Intensive 70 °C, Automatic 45-65 °C, Eco 50 °C, Glass 40 °C, 1h 65 °C and Pre rinse
- 3 special options: VarioSpeedPlus, HygienePlus, Extra Trocknen
- Machine Care Programme
- Heat exchanger
- Eco Drying
- Aqua-Sensor, Load-Sensor
- DosageAssist
- BLDC drive
- Detergent Automation
- Self-cleaning filter system with 3-fold corrugated filter
- Interior tub material: Stainless Steel
- Vario basket system
- 3rd Basket or Drawer retrofittable
- Rackmatic height-adjustable top basket (3 stage)
- Low friction wheels on bottom basket
- Rack Stopper to prevent derailing of bottom basket
- 2 foldable plate racks in top basket
- 2 foldable plate racks in bottom basket
- Cutlery rack in top basket
- Variable cutlery basket in bottom basket
- 2 cup shelves in top basket
- Push button top controls
- Panel legend: Plain text (english)
- InfoLight
- Remaining programme time indicator (min)
- Electronic delay timer: 1-24 hours
- Aqua-Stop with guarantee
- Glass care system
- incl. Salt filling funnel
- incl. Steam protection plate

Included accessories

vapor barrier plate

Optional accessories

- 5AV10022 Compensating panels, stainless steel 86
- 5VZ6DX02 Vario Drawer

Alternative colors available

Technical Data

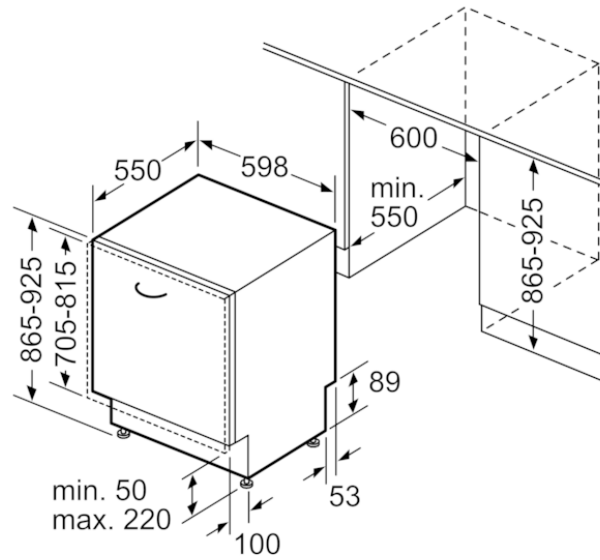
Characteristics

Cleaning performance : A
 Water consumption (l) : 9.5
 Total annual energy consumption (kWh) 220 days : 183
 Total annual water consumption (l) 220 days : 2090
 Built-in / Free-standing : Built-in
 Removable top : No
 Door panel options : Not possible
 Height of removable worktop (mm) : 0
 Height of the product (mm) : 865
 Adjustable feet : Yes - front only
 Maximum adjustability feet (mm) : 60
 Net weight (kg) : 40.246
 Gross weight (kg) : 42.5
 Connection Rating (W) : 2400
 Current (A) : 10
 Voltage (V) : 220-240
 Frequency (Hz) : 50; 60
 Length electrical supply cord (cm) : 175
 Length inlet hose (cm) : 165
 Length outlet hose (cm) : 190
 Hidden heating element : Yes
 Water protection system description : Triple water protection 24h
 Child safety devices : No
 Water softener : Yes
 Adjustable upper basket : Rackmatic 3-stage
 Cutlery Basket : Standard
 Optional accessories : 5AV10022, 5VZ6DX02
 Included accessories 2 : vapor barrier plate
 Number of place settings : 13
 Color / Material panel : Stainless steel
 Dimensions of the product (width x depth) : 865 x 598 x 550
 Dimensions of the packed product (HxWxD) (mm) : 880 x 670 x 660

Consumption and connection features

Brand : Blaupunkt
 Product name / Commercial code : 5VH6X00EBE
 Number of place settings : 13
 Energy efficiency class (2010/30/EC) : A+++
 Energy consumption annual (kWh/ annum) - NEW (2010/30/EC) : 234.00
 Energy consumption (kWh) : 0.83
 Power consumption in left-on mode (W) - NEW (2010/30/EC) : 0.10
 Power consumption in off-mode (W) - NEW (2010/30/EC) : 0.10
 Water consumption annual (l/annum)

fully-integrated dishwasher, 60 cm, XXL
5VH6X00EBE



measurements in mm