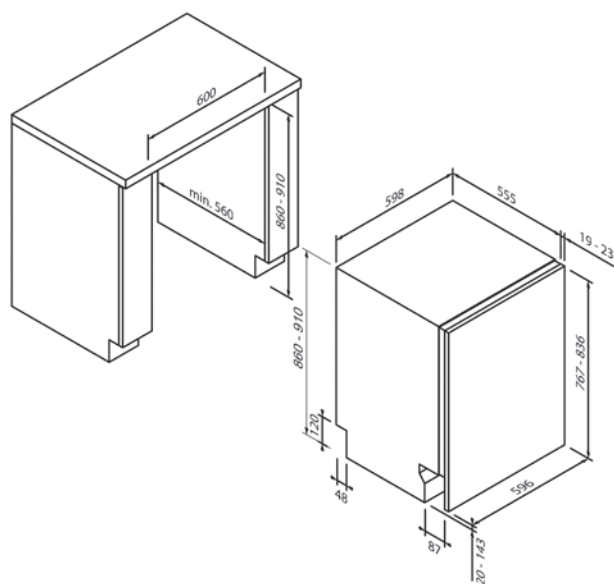




5VH6X00VSB

EG016900



Design	
Construction type	Fully integrated
High-mounting	•
Height (in cm)	86
Width (in cm)	60

Consumption data & functions	
Energy consumption kWh ¹	65
Water consumption (in litres) ²	9
Noise level (in dB A) re 1 pW	42
Number of washing programmes	9
Washing programme types	Eco, Hygiene 70 °C, Fast40 °C, Fast65 °C, Mini 14, Save+ 5,4L, Dual Pro Wash 60°C
Special functions	Machine cleaning programme, Express, Half load, Extra Silent, Energy Save

Operating comfort & equipment	
Operation	Touch Control
Number of standard place settings	14
Interior lighting	•
Programme status display	•
Remaining time display	•
Start time preselection (in hours)	1-24
Optical operating display	Info Light
Acoustic program finish signal	•
Cutlery storage	Cutlery drawer
Height-adjustable upper basket	•
Folding spikes in the upper basket / lower basket	6 / 4
Aqua sensor / load sensor	• / •
Dosing assistant	-
Interior / Base	Stainless steel / Stainless steel
Water protection system	Aquastop
Drag hinge	•

Technical data	
Energy efficiency class	B
Connected load	1,9kW / 220-240 V
Fuse protection (in A)	10 A
Frequency (in Hz)	50 Hz
Plug type	Type F
Length of connection cable (in cm)	120 cm
Net weight (in KG)	36,5 kg
Gross weight (in KG)	38,7 kg
Dimensions of the packaged appliance (H x W x D)	89,1 x 64,4 x 66,1 cm
Appliance dimensions (H x W x D)	86,0 x 59,8 x 55,0 cm
Recess dimensions (H x W x D)	86,0-92,0 x 60,0 x 55,0 cm
EAN	4251003109429