

**Integrated dishwasher, 60 cm,
Stainless steel - 5VI5S00ITE**

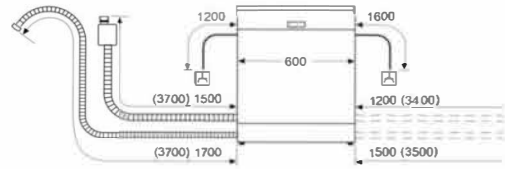
- Energy efficiency class¹: E
- Energy² / Water³: 92 kWh / 10.5 liters
- Capacity: 12 place settings
- Program duration⁴: 4:30 (h:min)
- Noise: 50 dB(A) re 1 pW
- Noise efficiency class: C
- 5 programs: Eco 50 °C, Auto 45-65 °C, Intensive 70 °C, 1 Hour 65 °C, Prerinse.
- 2 special functions: HygienePlus, Half load
- Aqua and load sensor
- Dosing assistant
- Automatic cleaner
- Self-cleaning sieve with 3-fold wave filter system
- Inner container/bottom: stainless steel/Polinox
- Vario basket system
- Height adjustable upper basket
- Comfort rollers in the lower basket
- Basket stopper (rack stopper) to prevent the lower basket from rolling over
- Folding rows of spikes in the lower basket (2x)
- Variable cutlery basket in the lower basket
- Cup tray in the upper basket (2 parts)
- Control panel with plain text (English)
- Electric remaining time display in minutes
- Electric time preselection: 1-24 hours
- Aqua Stop
- Key lock
- Glass protection technology
- Incl. steam protection plate
- Unit dimensions (H x W x D): 81.5 cm x 59.8 cm x 57.3 cm

Special accessories
5AV10001 : Facing and fastening set 81,5 cm

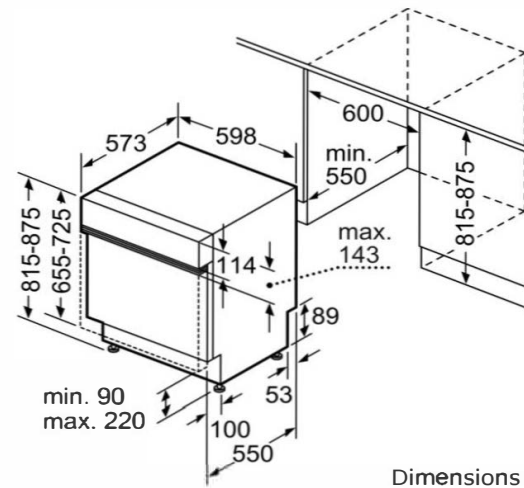
Equipment Features:

- Design: Built-in
- Removable worktop: No
- Decorative frame/plate: Not possible
- Worktop height (mm): 0
- Unit height (mm): 815
- Height adjustable feet: Yes - from the front
- Height adjustment max. (mm): 60
- Adjustable base: Horizontal and vertical
- Net weight (kg): 30.868
- Gross weight (kg): 33.2
- Connected load (W): 2400
- Fuse rating (A): 10
- Voltage (V): 220-240
- frequency (Hz): 50; 60
- Length of connection cable (cm): 175
- type of plug: Schuko/Gardy.w.grounding
- Length inlet hose (cm): 165
- Length drain hose (cm): 190
- Flow heater: Yes
- Water safety system: 3-fold water protection
- Child safety devices: Key lock
- Softener system: Yes
- Upper basket type: LOW
- Upper basket adjustable: Single

Dimensions in mm



⌚ Power outlet
() Values with extension set



Dimensions in mm