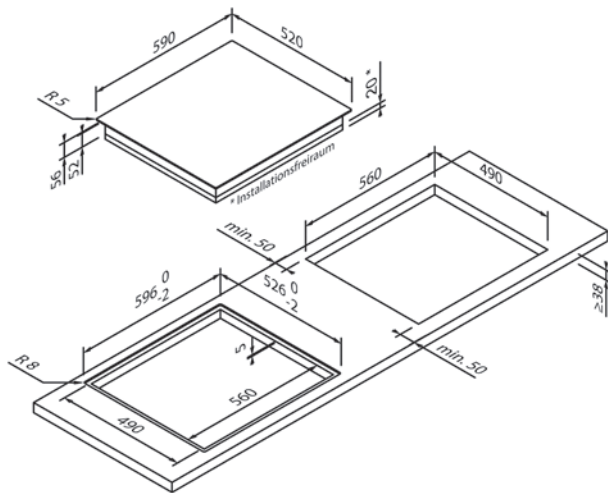
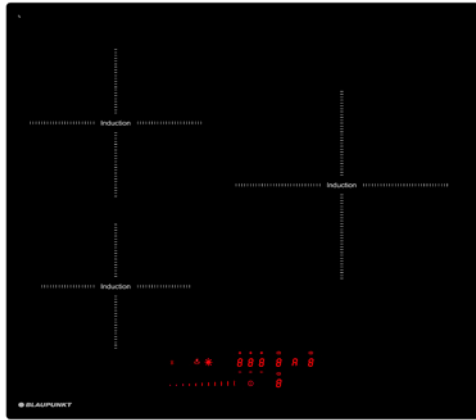




5IB64211

EG1384



Design	
Version	Frameless
Construction type	Top mounted / flush-mounted
Width (in cm)	60

Heating type & functions	
Heating type	Induction
Power levels	10
Number of cooking zones	3
Cooking zones	1 × Ø 17,5 cm (1,4 kW / 2,1 kW), 1 × Ø 21,5 cm (2,3 kW / 3,0 kW), 1 × Ø 26,5 cm (2,3 kW / 3,0 kW)
Boost function	•
Double ring zone	–
Casserole zone	–
Special functions	–

Operating comfort & equipment	
Operation	Touch control with slider
Display / Colour	Digital / Red
Pot detection	•
Residual heat display	•
Timer	•
Child lock	•
Safety switch-off	•
Power management	•
Multi Control ¹	•

Technical data	
Connected load	6,7 kW / 220 – 240 V
Fuse protection (in A)	2 × 16 A
Frequency (in Hz)	50;60 Hz
Plug type	
Length of connection cable (in cm)	150 cm
Net weight (in KG)	10 kg
Gross weight (in KG)	11,2 kg
Dimensions of the packaged appliance (H × W × D)	9,5 × 65,0 × 60,0 cm
Appliance dimensions (H × W × D)	5,2 × 59,0 × 52,0 cm
Installation dimensions (H × W × D)	5,2 × 56,0 × 49,0 cm
EAN	4251003104721

Note	
Ventilation	No ventilation from the front necessary