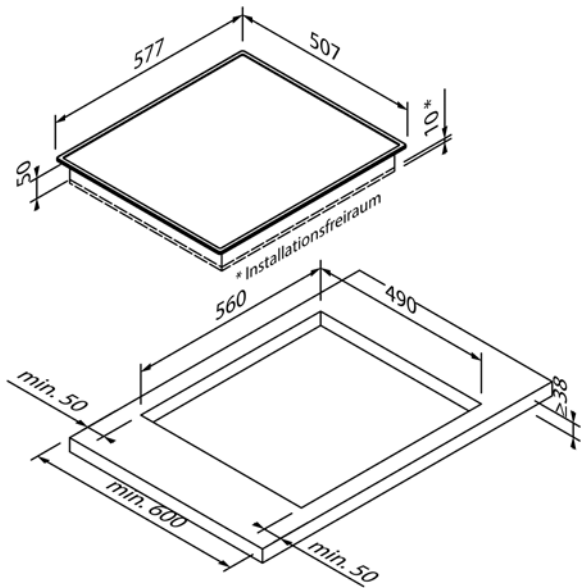




5IE64450

EG013600



Design	
Version	Stainless-steel frame
Construction type	Top mounted
Width (in cm)	60

Heating type & functions	
Heating type	Induction
Power levels	9
Number of cooking zones	4
Cooking zones	1 × Ø 18,0 cm (1,8 kW / 2,1 kW), 2 × Ø 14,5 cm (1,2 kW / 1,6 kW), 1 × Ø 21,0 cm (2,1 kW / 3,0 kW)
Boost function	•
Double ring zone	–
Casserole zone	–
Special functions	–

Operating comfort & equipment	
Operation	Touch Control
Display / Colour	Digital / Red
Pot detection	•
Residual heat display	•
Timer	•
Child lock	•
Safety switch-off	•
Power management	•
Multi Control ¹	–

Technical data	
Connected load	7,2kW / 220-240 V
Fuse protection (in A)	2 x 16 A
Frequency (in Hz)	50-60 Hz
Plug type	
Length of connection cable (in cm)	120 cm
Net weight (in KG)	8,7 kg
Gross weight (in KG)	9,7 kg
Dimensions of the packaged appliance (H x W x D)	12,0 x 67,0 x 60,0 cm
Appliance dimensions (H x W x D)	5,4 x 57,7 x 50,7 cm
Installation dimensions (H x W x D)	5,0 x 56,0 x 49,0 cm
EAN	4251003108835

Note	
Ventilation	No ventilation from the front necessary Lieferbar ab Dezember 2024