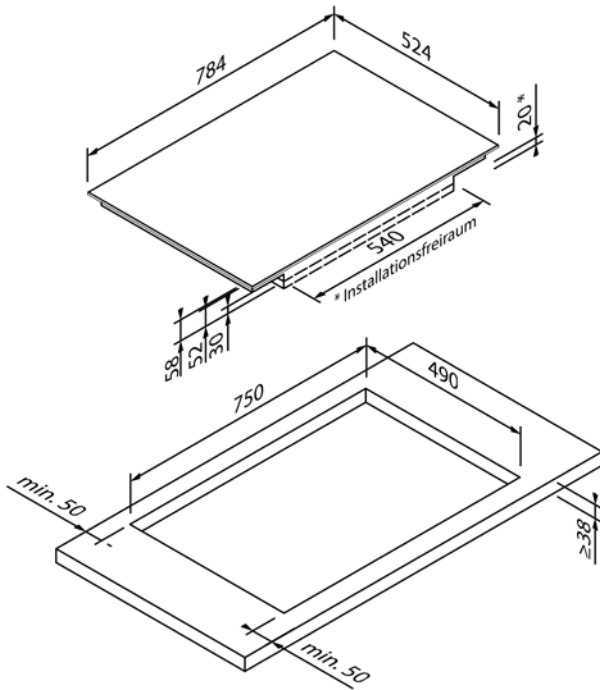
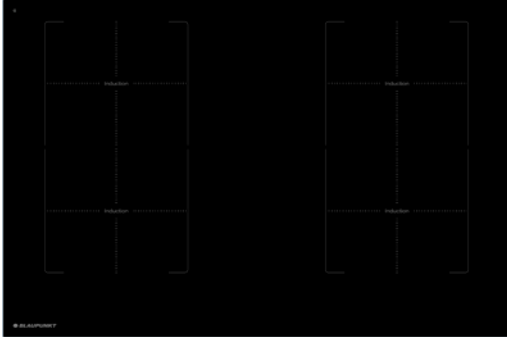




51184353

EG1348



Design	
Version	Aluminium frame
Construction type	Top mounted
Width (in cm)	80

Heating type & functions	
Heating type	Induction
Power levels	10
Number of cooking zones	4
Cooking zones	4 × 20,0 × 21,0 cm (2,1 kW / 3,0 kW)
Boost function	•
Double ring zone	–
Casserole zone	–
Special functions	2 × Combi induction

Operating comfort & equipment	
Operation	Touch control with slider
Display / Colour	Digital / Red
Pot detection	•
Residual heat display	•
Timer	•
Child lock	•
Safety switch-off	•
Power management	•
Multi Control <sup>1</sup>	•

Technical data	
Connected load	7,4kW / 220-240 V
Fuse protection (in A)	2 × 16 A
Frequency (in Hz)	50;60 Hz
Plug type	
Length of connection cable (in cm)	150 cm
Net weight (in KG)	11,5 kg
Gross weight (in KG)	13,5 kg
Dimensions of the packaged appliance (H × W × D)	9,5 × 84,0 × 60,0 cm
Appliance dimensions (H × W × D)	5,2 × 78,4 × 52,4 cm
Installation dimensions (H × W × D)	5,2 × 75,0 × 49,0 cm
EAN	4251003108156

Note	
Ventilation	No ventilation from the front necessary