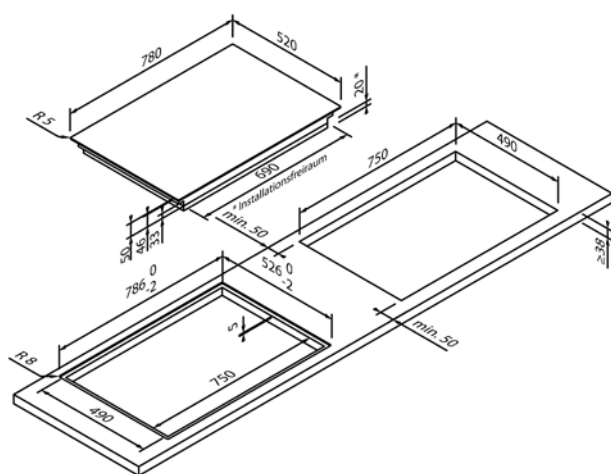
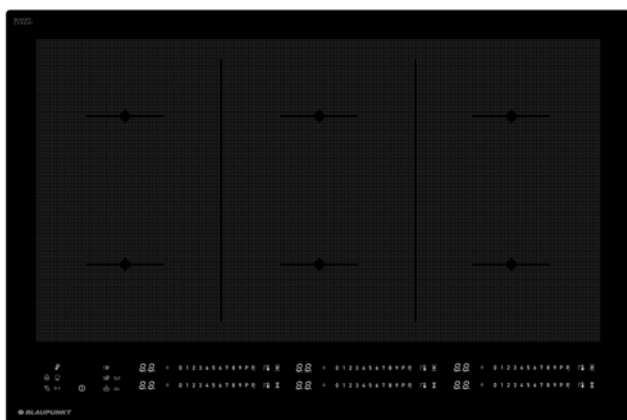


Induction hob



51186250

EG1387



Design	
Version	Frameless
Construction type	Top mounted / flush-mounted
Width (in cm)	80

Heating type & functions	
Heating type	Induction
Power levels	14
Number of cooking zones	6
Cooking zones	6 × 22,0 × 18,0 cm (2,1kW / 2,65kW / 3,7kW)
Boost function	•
Double ring zone	–
Casserole zone	–
Special functions	1 × Combi induction, Move Mode

Operating comfort & equipment	
Operation	Touch control with slider
Display / Colour	Digital / White
Pot detection	•
Residual heat display	•
Timer	•
Child lock	•
Safety switch-off	•
Power management	•
Multi Control ¹	•

Technical data	
Connected load	11,1kW / 220-240 V
Fuse protection (in A)	3x16 A
Frequency (in Hz)	50;60 Hz
Plug type	
Length of connection cable (in cm)	150 cm
Net weight (in KG)	14.5 kg
Gross weight (in KG)	16.5 kg
Dimensions of the packaged appliance (H × W × D)	9,5 × 84,0 × 60,0 cm
Appliance dimensions (H × W × D)	5,0 × 78,0 × 52,0 cm
Installation dimensions (H × W × D)	5,0 × 75,0 × 49,0 cm
EAN	4251003108149

Note	
Ventilation	No ventilation from the front necessary