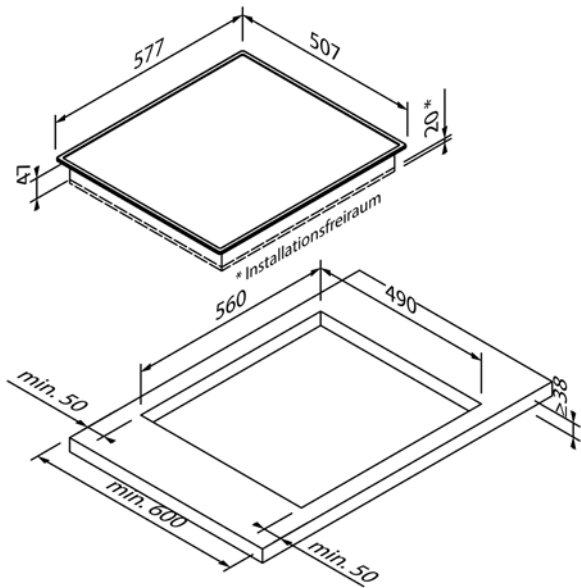
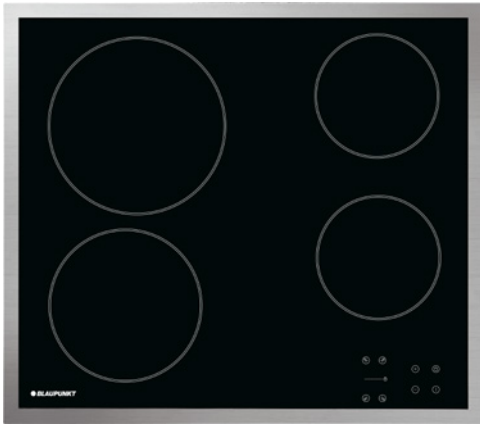




5RE64450

EG013500



Design	
Version	Stainless-steel frame
Construction type	Top mounted
Width (in cm)	60

Heating type & functions	
Heating type	Electric
Power levels	9
Number of cooking zones	4
Cooking zones	1 x Ø 18,0 cm (1,7 kW), 1 x Ø 21,0 cm (2,1 kW), 2 x Ø 14,5 cm (1,2 kW)
Boost function	-
Double ring zone	-
Casserole zone	-
Special functions	-

Operating comfort & equipment	
Operation	Touch Control
Display / Colour	Digital / Red
Pot detection	-
Residual heat display	•
Timer	-
Child lock	•
Safety switch-off	•
Power management	-
Multi Control <sup>1</sup>	-

Technical data	
Connected load	4,7kW / 220-240 V
Fuse protection (in A)	2 x 16 A
Frequency (in Hz)	50-60 Hz
Plug type	
Length of connection cable (in cm)	150 cm
Net weight (in KG)	8 kg
Gross weight (in KG)	9 kg
Dimensions of the packaged appliance (H x W x D)	13,0 x 67,0 x 60,0 cm
Appliance dimensions (H x W x D)	4,9 x 57,7 x 50,7 cm
Installation dimensions (H x W x D)	4,7 x 56,0 x 49,0 cm
EAN	4251003108859

Note	
Ventilation	No ventilation from the front necessary Lieferbar ab Dezember 2024