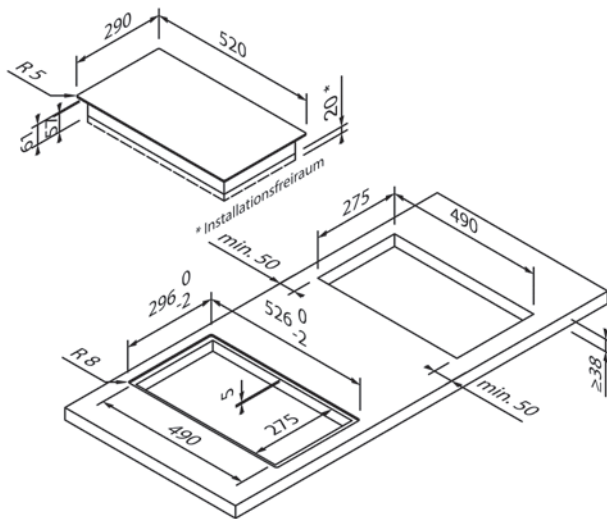
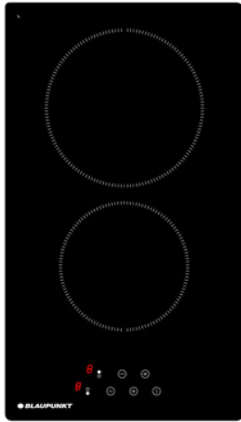




5RZ34411

EG1306



Design	
Version	Frameless
Construction type	Top mounted / flush-mounted
Width (in cm)	30

Heating type & functions	
Heating type	Electric
Power levels	9
Number of cooking zones	2
Cooking zones	1 × Ø 14,5 cm (1,2 kW), 1 × Ø 18,0 cm (1,8 kW)
Boost function	–
Double ring zone	–
Casserole zone	–
Special functions	–

Operating comfort & equipment	
Operation	Touch Control
Display / Colour	Digital / Red
Pot detection	–
Residual heat display	•
Timer	•
Child lock	•
Safety switch-off	•
Power management	–
Multi Control <sup>1</sup>	–

Technical data	
Connected load	3,0 kW / 220 – 240 V
Fuse protection (in A)	16 A
Frequency (in Hz)	50;60 Hz
Plug type	Type F
Length of connection cable (in cm)	110 cm
Net weight (in KG)	4,83 kg
Gross weight (in KG)	5,44 kg
Dimensions of the packaged appliance (H × W × D)	8,0 × 43,0 × 60,0 cm
Appliance dimensions (H × W × D)	5,7 × 29,0 × 52,0 cm
Installation dimensions (H × W × D)	5,7 × 27,5 × 49,0 cm
EAN	4251003104806

Note	
Ventilation	No ventilation from the front necessary