



A++

Blaupunkt
5CB277SF0
Built-in fridge-freezer combination

Predecessor:

Successor:

EAN code:
4251003105391

sales programme:

built-in fridge-freezer with freezer at bottom, 157.8 x 54.1 cm 5CB277SF0

- Built-in fridge freezer, bottom freezer

Performance and consumption

- Energy Efficiency Class: A++ at a range of energy efficiency classes from A+++ to D
- Energy consumption: 212 kWh/yr
- Net capacity: 232 l
- Noise level: 38 dB(A) re 1 pW

Design and Styling

- Type of hinge: Follow-door
- Easy clean interior
- LED interior light in fridge section

Convenience & Safety

- LED electronic control
- 1 compressor/1 cold circuit
- Automatic defrost in fridge section
- Super Freezing: manual activation

Fridge Compartment

- Net fridge capacity total: 169 l
- 4 safety glass shelves, of which 3 are height adjustable
- 4 door bins
- LED interior light

Freshness System Freshness System

- Vegetable container

Freezer Section

- Net capacity **** freezer: 63 l
- Storage time in power failure: 26 h
- Freezing capacity: 3 kg/24 h
- 2 transparent freezer drawers

Technical Information

- Connected load: 90 W
- Nominal voltage: 220 - 240 V
- Door right hinged, reversible

Dimensions

- Niche Dimension (H x W x D): 158.0 cm x 56.0 cm x 55.0 cm
- Appliance Dimensions (H x W x D): 157.8 cm x 54.1 cm x 54.5 cm

Accessories

- egg tray ice cube tray

Environment and Safety

Installation

Country Specific Options

Included accessories

Optional accessories

- KSZ10020 Bottle Rack

Alternative colors available

Technical Data

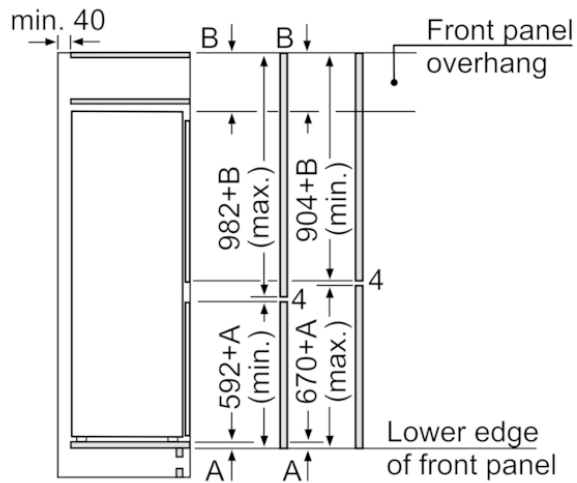
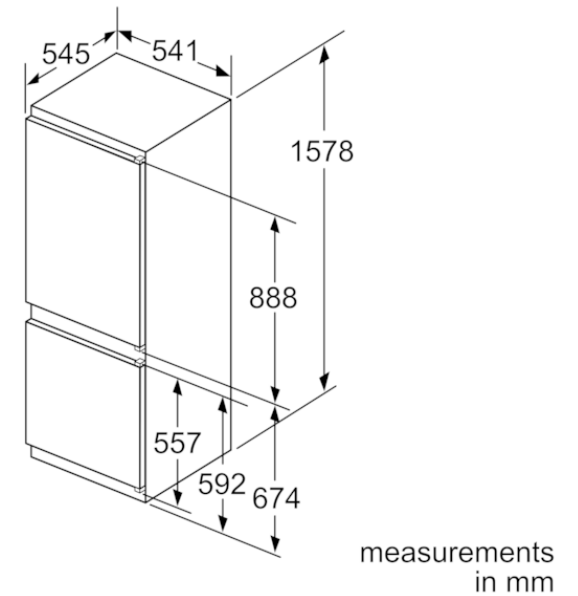
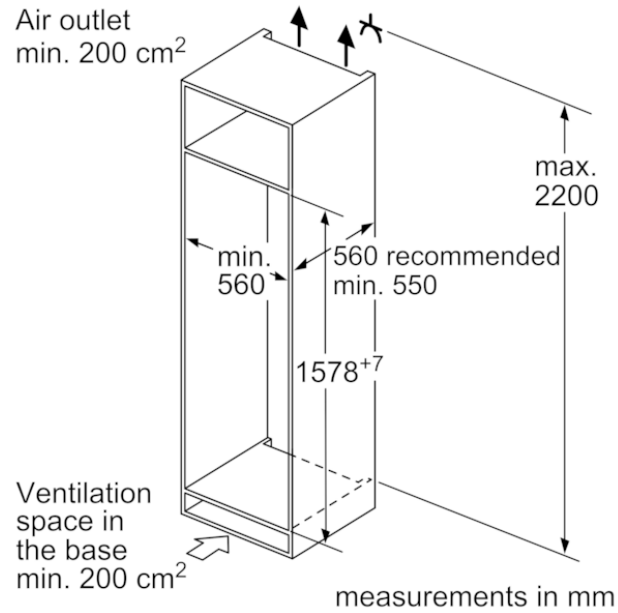
Characteristics

Built-in / Free-standing : Built-in
 Number of compressors : 1
 Number of independent cooling systems : 1
 Width of the appliance : 541
 Depth of the product : 545
 Net weight (kg) : 53.578
 Required niche size for installation (HxWxD) : 1580 x 560 x 550
 Door panel options : Not possible
 Door hinge : Right reversible
 Number of Adjustable Shelves in fridge compartment : 3
 Shelves for Bottles : No
 Frost free system : No
 Interior ventilator : No
 Reversible Door Hinge : Yes
 Length electrical supply cord (cm) : 230
 Noise level (dB) : 38
 Multi-Flow Air Tower : No
 Fast cooling switch : No
 Fast freezing switch : Yes
 Temperature Controlled Drawer : No
 Humidity Control Drawer : No
 Number of Door Bins - Refrigerator : 5
 Door bin adjustability - Refrigerator : No
 Tilt-out door bins in fridge : No
 Gallon Storage : Yes
 Number of Gallon storage : 1
 Motorized Shelf : No
 Door opened indicator freezer : No
 Drawers with telescopic rails : none
 Automatic motor-driven ice-maker : No

Consumption and connection features

Connection Rating (W) : 90
 Current (A) : 10
 Voltage (V) : 220-240
 Frequency (Hz) : 50
 Storage Period in Event of Power Failure (h) : 26
 Approval certificates : CE, VDE
 Main colour of product : N/A
 Door panel options : Not possible
 Noise level (dB) : 38
 Energy Star Qualified : No
 Approval certificates : CE, VDE
 Dimensions of the packed product (in) : 64.96 x 24.40 x 25.19
 Net weight (lbs) : 118.000
 Gross weight (lbs) : 130.000

built-in fridge-freezer with freezer at bottom, 157.8 x 54.1 cm
5CB277SF0



The specified unit door dimensions are valid for a door gap of 4 mm.
measurements in mm