



**built-in fridge-freezer with freezer at bottom, 177.2 x 54.1 cm  
5CC187FF0**

- 5CC187FF0
- easy Installation

**Performance and consumption**

- Energy Efficiency Class: A+ at a range of energy efficiency classes from A+++ to D
- Energy consumption: 277 kWh/yr
- Net capacity: 268 l
- Noise level: 39 dB(A) re 1 pW
- Climate Class: SN-ST

**Design and Styling**

- LED interior light in fridge section

**Convenience & Safety**

- LED electronic control
- Super Cooling: No

**Fridge Compartment**

- Net fridge capacity total: 199 l
- 5 safety glass shelves, of which 4 are height adjustable
- 1 door trays high
- 4 door bins

**Freshness System Freshness System**

- Vegetable container

**Freezer Section**

- Low Frost
- Net capacity \*\*\*\* freezer: 69 l
- Freezing capacity: 3 kg/24 h
- Storage time in power failure: 22 h
- 2 transparent freezer drawers, incl.1 big box
- Super Freezing: manual activation

**Dimensions**

- Appliance Dimensions ( H x W x D): 177.2 cm x 54.1 cm x 54.8 cm
- Niche Dimension (H x W x D): 177.5 cm x 56.0 cm x 55.0 cm

**Technical Information**

- Door right hinged, reversible
- Nominal voltage: 220 - 240 V

**Accessories**

- egg tray ice cube tray

**Country Specific Options**

- Based on the results of the standard 24-hour test. Actual consumption depends on usage/position of the appliance.
- Gross capacity 270 l
- Gross capacity cooling 200 l

**Included accessories**

**Optional accessories**

**Technical Data**

**Characteristics**

Built-in / Free-standing : Built-in  
 Number of compressors : 1  
 Number of independent cooling systems : 1  
 Width of the appliance : 541  
 Depth of the product : 548  
 Net weight (kg) : 57.917  
 Required niche size for installation (HxWxD) : 1775.0 x 560 x 550  
 Door panel options : Not possible  
 Door hinge : Right reversible  
 Number of Adjustable Shelves in fridge compartment : 4  
 Shelves for Bottles: No  
 Frost free system : No  
 Interior ventilator : No  
 Reversible Door Hinge : Yes  
 Length electrical supply cord (cm) : 230  
 Noise level (dB) : 39  
 Multi-Flow Air Tower : No  
 Fast cooling switch : No  
 Fast freezing switch : Yes  
 Temperature Controlled Drawer : No  
 Humidity Control Drawer : No  
 Number of Door Bins - Refrigerator : 4  
 Door bin adjustability - Refrigerator : No  
 Tilt-out door bins in fridge : No  
 Gallon Storage : Yes  
 Number of Gallon storage : 1  
 Motorized Shelf : No  
 Door opened indicator freezer : Yes  
 Automatic motor-driven ice-maker : No

**Consumption and connection features**

Current (A) : 10  
 Voltage (V) : 220-240  
 Frequency (Hz) : 50  
 Storage Period in Event of Power Failure (h) : 22

Approval certificates : CE, VDE  
 Main colour of product : N/A  
 Door panel options : Not possible  
 Noise level (dB) : 39

Energy Star Qualified : No  
 Approval certificates : CE, VDE  
 Dimensions of the packed product (in) : 73.22 x 24.40 x 25.19  
 Net weight (lbs) : 128.000  
 Gross weight (lbs) : 138.000

**Alternative colors available**

Blaupunkt  
 5CC187FF0  
 Built-in fridge-freezer combination

Predecessor:

Successor:

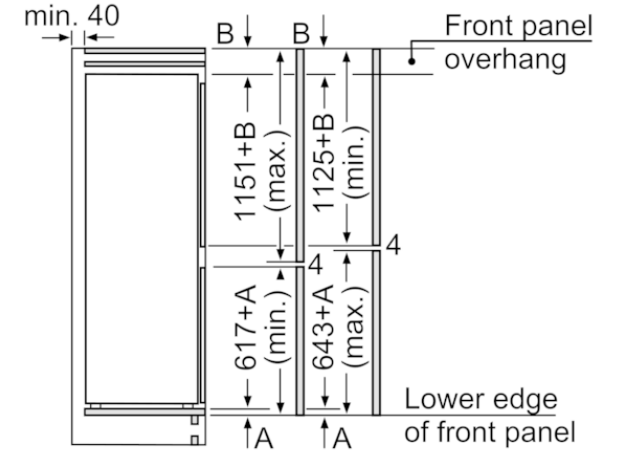
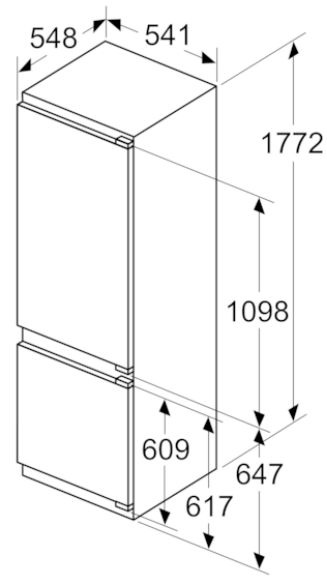
EAN code:  
 4251003105353

sales programme:

built-in fridge-freezer with freezer at bottom, 177.2 x 54.1 cm  
5CC187FF0

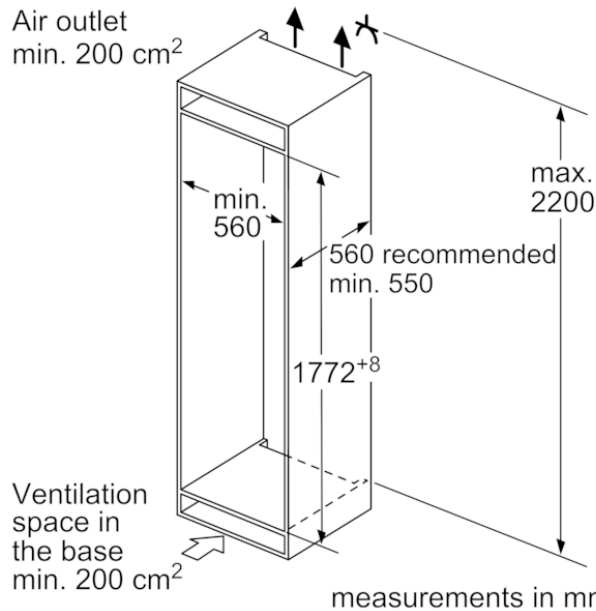


measurements in mm



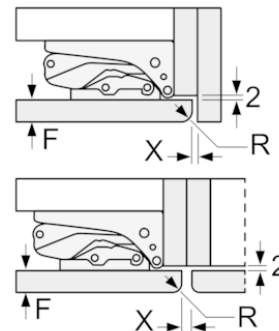
The specified unit door dimensions are valid for a door gap of 4 mm.

measurements in mm



measurements in mm

Recommended gap dimensions for flat hinges



F	R	X
16-19	0-3	2.5
20	0-1	3
	2-3	2.5
21	0-1	3
	2-3	2.5
22	0	4
	1	3.5
	2-3	3

The gap dimensions recommended in the table must be adhered to in order to ensure that appliance doors do not collide with anything when they are opened, and to avoid causing damage to kitchen units.