

5CC26730

Built-in fridge freezer, bottom freezer

Flat hinge



## **5CC26730**

### **Performance and consumption**

- Energy Efficiency Class: NO\_FEATURE
- Energy consumption: 199 kWh/yr
- Net capacity: 209 l
- Noise level: 38 dB(A) re 1 pW
- fully integrated

### **Design**

- Integrable, Flat hinge

### **Comfort and Safety**

- LED electronic control
- Super freezing with automatic switch off
- Automatic defrost in fridge section

### **Fridge Section**

- Net fridge capacity: 157 l
- 4 safety glass shelves, of which 3 are height adjustable
- 1 door trays
- LED interior light

### **Freshness System**

- Vegetable container

### **Freezer Section**

- Net capacity \*\*\*\* freezer: 52 l
- Freezing capacity: 2.5 kg/24 h
- Storage time in power failure: 22 h
- Vario Zone - removable safety glass shelves for extra space!
- 2 transparent freezer drawers

### **Technical Information**

- Door right hinged, reversible
- Connected load: 90 W
- Nominal voltage: 220 - 240 V

### **Dimensions**

- Niche Dimension (H x W x D): 145.0 cm x 56.0 cm x 55.0 cm
- Dimensions ( H x W x D): 144.6 cm x 54.1 cm x 54.5 cm

### **Accessories**

- 2 x cold accumulator, 1 x egg tray, 1 x ice cube tray

### **Environment and Safety**

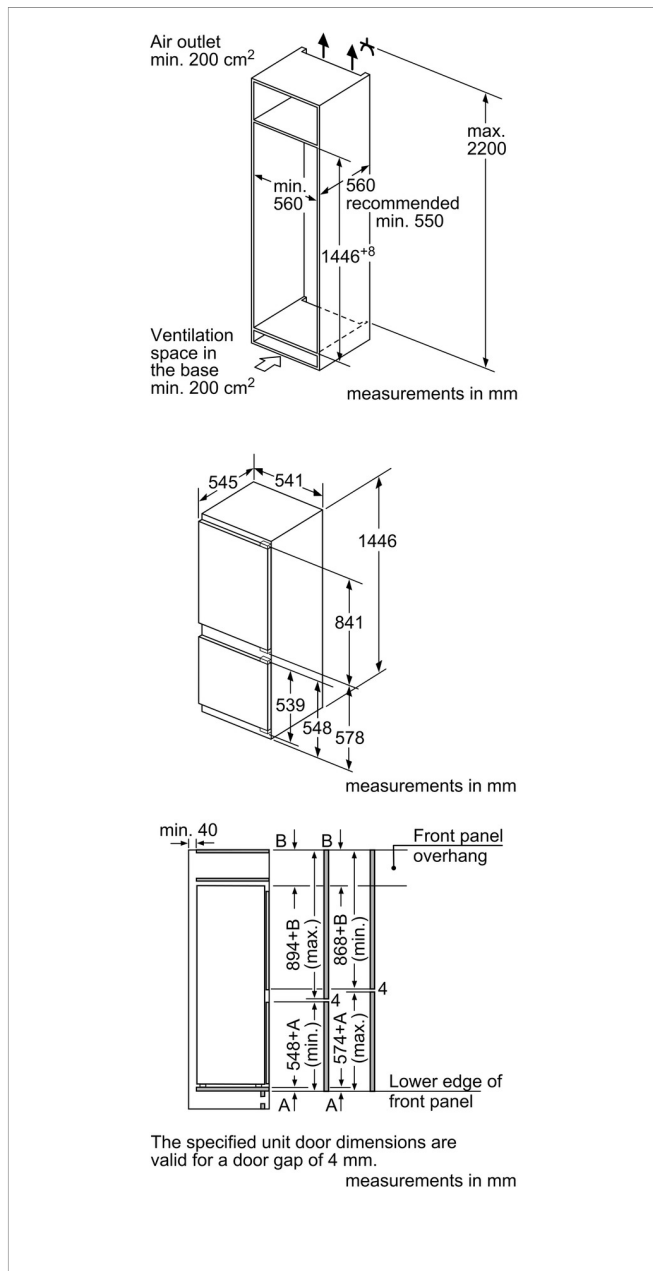
### **General Information**

4251003101331

## 5CC26730

### Built-in fridge freezer, bottom freezer

### Flat hinge



#### Characteristics

Built-in / Free-standing: Built-in  
 Number of compressors: 1  
 Number of independent cooling systems: 1  
 Width of the product (mm): 541  
 Height (mm): 1446  
 Depth of the product: 545  
 Net weight (kg): 59.0  
 Required niche size for installation (HxWxD): 1450 x 560 x 550  
 Door panel options: Not possible  
 Door hinge: Right reversible  
 Number of Adjustable Shelves in fridge compartment: 3  
 Shelves for Bottles: No  
 Frost free system: No  
 Interior ventilator: No  
 Reversible Door Hinge: Yes  
 Length electrical supply cord (cm): 230  
 Noise level (dB): 38  
 Multi-Flow Air Tower: No  
 Fast cooling switch: No  
 Fast freezing switch: Yes  
 Temperature Controlled Drawer: No  
 Number of Door Bins - Refrigerator: 2  
 Door bin adjustability - Refrigerator: No  
 Tilt-out door bins in fridge: Yes  
 Gallon Storage: Yes  
 Number of Gallon storage: 1  
 Motorized Shelf: No  
 Material of the shelves: Safety glass  
 Door opened indicator freezer: No  
 Drawers with telescopic rails: none  
 Automatic motor-driven ice-maker: No

#### Consumption and connection features

Connection Rating (W): 90  
 Current (A): 10  
 Voltage (V): 220-240  
 Frequency (Hz): 50  
 Energy consumption (kWh):  
 Freezing capacity (kg):  
 Storage Period in Event of Power Failure (h): 22  
 Approval certificates: VDE  
 Universal Product Code:  
 Main colour of product:  
 Door panel options: Not possible  
 Noise level (dB): 38  
 Total annual energy consumption (kWh):  
 Energy Star Qualified:  
 Approval certificates: VDE