

5CC27730

Built-in fridge freezer, bottom freezer



5CC27730

Performance and consumption

- Energy Efficiency Class: NO_FEATURE
- Energy consumption: 212 kWh/yr
- Net capacity: 232 l
- Noise level: 38 dB(A) re 1 pW

Design

- Integrable, Flat hinge
- Easy clean interior
- LED interior light in fridge section

Comfort and Safety

- LED electronic control
- 1 compressor/1 cold circuit
- Automatic defrost in fridge section
- Super freezing with automatic switch off

Fridge Section

- Net fridge capacity: 169 l
- 4 safety glass shelves, of which 3 are height adjustable
- 4 door bins
- LED interior light

Freshness System

- Vegetable container

Freezer Section

- Net capacity **** freezer: 63 l
- Storage time in power failure: 26 h
- Freezing capacity: 3 kg/24 h
- 2 freezer drawers

Technical Information

- Connected load: 90 W
- Nominal voltage: 220 - 240 V
- reversible, Door right hinged

Dimensions

- Niche Dimension (H x W x D): 158.0 cm x 56.0 cm x 55.0 cm
- Dimensions (H x W x D): 157.8 cm x 54.1 cm x 54.5 cm

Accessories

- 2 x cold accumulator, 1 x egg tray, 1 x ice cube tray

Environment and Safety

Installation

Country Specific Options

- Gross capacity 235 l
- Gross capacity cooling 171 l
- Based on the results of the standard 24-hour test. Actual consumption depends on usage/position of the appliance.

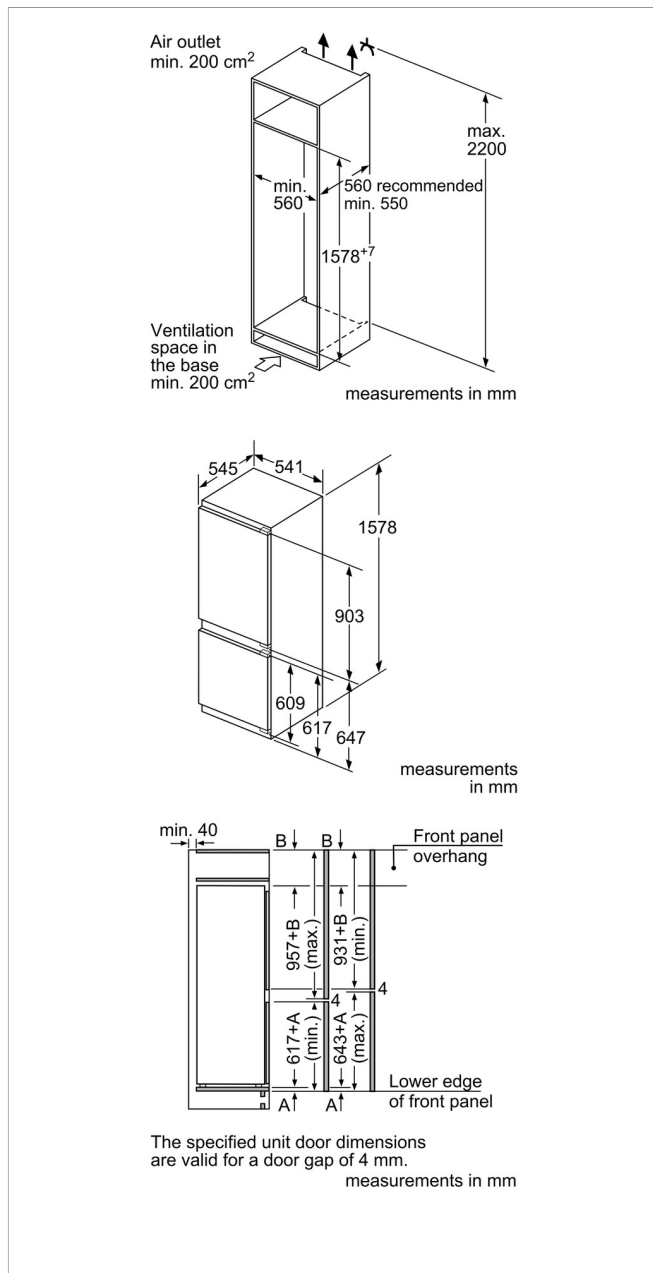
Optional accessories

KSZ10020 Bottle Rack

4251003101386

5CC27730

Built-in fridge freezer, bottom freezer



Characteristics

Built-in / Free-standing: Built-in
 Number of compressors: 1
 Number of independent cooling systems: 1
 Width of the product (mm): 541
 Height (mm): 1578
 Depth of the product: 545
 Net weight (kg): 58.0
 Required niche size for installation (HxWxD): 1580 x 560 x 550
 Door panel options: Not possible
 Door hinge: Right reversible
 Number of Adjustable Shelves in fridge compartment: 3
 Shelves for Bottles: No
 Frost free system: No
 Interior ventilator: No
 Reversible Door Hinge: Yes
 Length electrical supply cord (cm): 230
 Noise level (dB): 38
 Multi-Flow Air Tower: No
 Fast cooling switch: No
 Fast freezing switch: Yes
 Temperature Controlled Drawer: No
 Number of Door Bins - Refrigerator: 3
 Door bin adjustability - Refrigerator: No
 Tilt-out door bins in fridge: Yes
 Gallon Storage: Yes
 Number of Gallon storage: 1
 Motorized Shelf: No
 Material of the shelves: Safety glass
 Door opened indicator freezer: No
 Drawers with telescopic rails: none
 Automatic motor-driven ice-maker: No

Consumption and connection features

Connection Rating (W): 90
 Current (A): 10
 Voltage (V): 220-240
 Frequency (Hz): 50
 Energy consumption (kWh):
 Freezing capacity (kg):
 Storage Period in Event of Power Failure (h): 26
 Approval certificates:
 Universal Product Code:
 Main colour of product:
 Door panel options: Not possible
 Noise level (dB): 38
 Total annual energy consumption (kWh):
 Energy Star Qualified:
 Approval certificates: