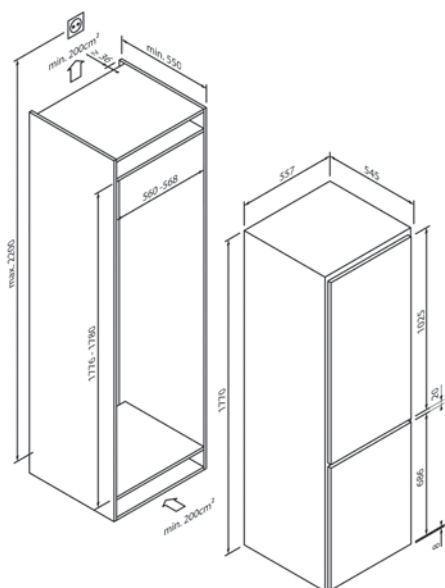




5CC284FD0

EG017750



Design	
Construction type	Installation
Height (in cm)	178
Output & consumption	
Energy consumption per year (in kWh)	181
Total useful capacity (in litres)	268
Noise level (in dB A) re 1 pW	33
Operating comfort & equipment	
Temperature control / display	Electronic / Digital
Interior lighting	LED
Refrigeration compartment	
Useful capacity (in litres)	189
Shelves made of safety glass	5 / 4 height-adjustable
Door shelves	5
Freshness system	Freshness box
Automatic defrost in refrigeration compartment	•
Freezer compartment	
Useful capacity (in litres)	79
Freezer drawers / freezer compartment	3 / -
Big Box	-
Freezing capacity (kg in 24 hours)	4
Storage time in case of malfunction (in hours)	19
Super freezing	•
No Frost / Low Frost	- / •
Technical data	
Energy efficiency class	D
Fixed door technology / sliding door technology	• / -
Door hinge	Right, changeable
Connected load	90W / 220-240 V
Fuse protection (in A)	10 A
Frequency (in Hz)	50 Hz
Plug type	Type F
Length of connection cable (in cm)	245 cm
Net weight (in KG)	50,6 kg
Gross weight (in KG)	52,2 kg
Dimensions of the packaged appliance (H x W x D)	184,0 x 58,0 x 60,8 cm
Appliance dimensions (H x W x D)	177,0 x 54,0 x 54,5 cm
Recess dimensions (H x W x D)	177,6-178,0 x 56,0 x 55,0 cm
EAN	4251003108927
Note	
Note	