

5CE34030
Built-in Fridge



5CE34030 White

•

Performance and consumption

- Energy Efficiency Class: No
- Energy consumption: 120 kWh/yr
- Net capacity: 187 l
- Noise level: 37 dB(A) re 1 pW

Design

- Integrable, Flat hinge
- Easy clean interior
- LED interior light in fridge section

Comfort and Safety

- 7 segment electronic control
- Two Cooling Systems
- Automatic defrost in fridge section

Fridge Section

- Net fridge capacity: 187 l
- 3 safety glass shelves, of which 3 are height adjustable
- 3 door bins
- LED interior light

Freshness System

- All foods stay fresh up to 3x longer thanks to the "dry" 0°C VitaFresh zone
- 1 container 0° moist adjustabl

Technical Information

- Connected load: 90 W
- Nominal voltage: 220 - 240 V
- Door right hinged, reversible

Dimensions

- Niche Dimension (H x W x D): 122.5 cm x 56.0 cm x 55.0 cm
- Dimensions (H x W x D): 122.1 cm x 55.8 cm x 54.5 cm

Accessories

- 2 x egg tray, 1 x ice cube tray

Environment and Safety

Installation

Country Specific Options

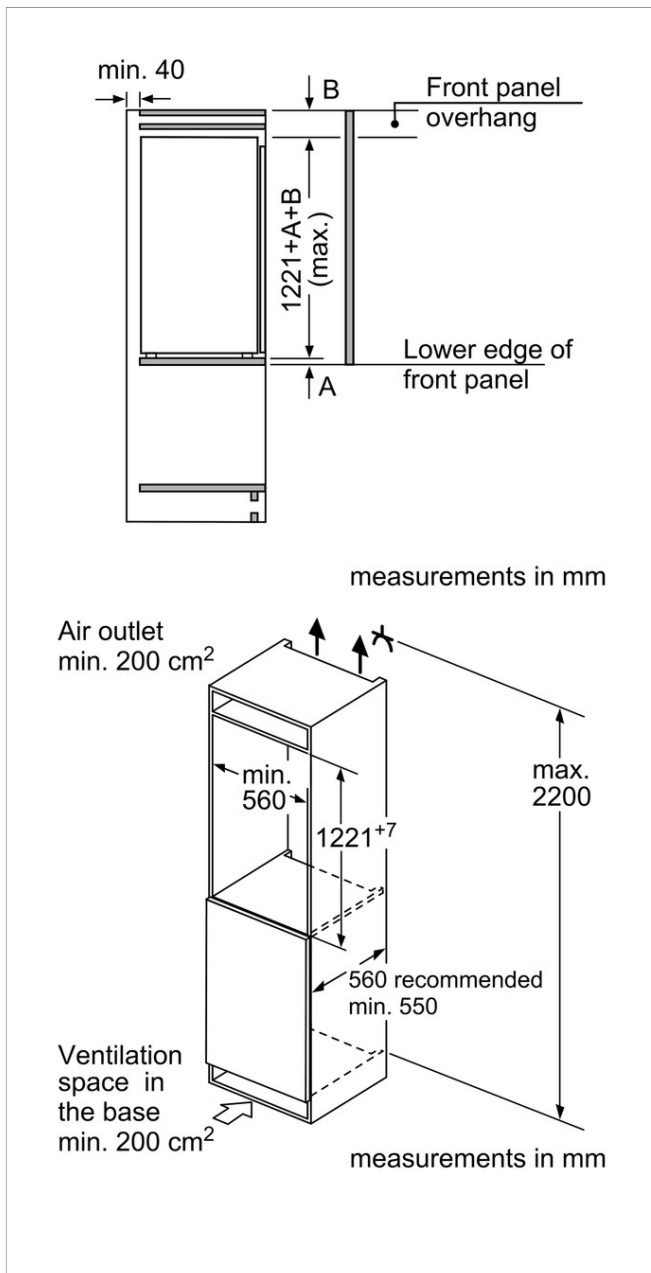
- Gross capacity 203 l
- Gross capacity cooling 203 l
- Based on the results of the standard 24-hour test. Actual consumption depends on usage/position of the appliance.

Optional accessories

- KFZ40AX0 Door panel with decor frame
- KFZ40SX0 Stainless steel door panel
- KSZ10020 Bottle Rack

4251003100990

5CE34030 Built-in Fridge



Characteristics

Built-in / Free-standing: Built-in
 Number of compressors: 1
 Number of independent cooling systems: 2
 Width of the product (mm): 558
 Height (mm): 1221
 Depth of the product: 545
 Net weight (kg): 48.0
 Required niche size for installation (HxWxD): 1225.0 x 560 x 550
 Door panel options: Possible but accessory
 Door hinge: Right reversible
 Number of Adjustable Shelves in fridge compartment: 3
 Shelves for Bottles: No
 Frost free system: No
 Interior ventilator: No
 Reversible Door Hinge: Yes
 Length electrical supply cord (cm): 230
 Noise level (dB): 37
 Multi-Flow Air Tower: No
 Economy setting: No
 Cold technology: 1 compressor/2 cold circuits
 Fast cooling switch: Yes
 Humidity Control Drawer: Yes
 Number of Door Bins - Refrigerator: 1
 Door bin adjustability - Refrigerator: No
 Tilt-out door bins in fridge: Yes
 Gallon Storage: Yes
 Number of Gallon storage: 1
 No. of shelves in fridge: 4
 Motorized Shelf: No
 Material of the shelves: Glas
 Door opened indicator freezer: Yes

Consumption and connection features

Connection Rating (W): 90
 Current (A): 10
 Voltage (V): 220-240
 Frequency (Hz): 50
 Energy consumption (kWh):
 Freezing capacity (kg):
 Storage Period in Event of Power Failure (h):
 Approval certificates: VDE
 Universal Product Code:
 Main colour of product: White
 Door panel options: Possible but accessory
 Installation typology: Full-integrated
 Noise level (dB): 37
 Total annual energy consumption (kWh):
 Energy Star Qualified: No