



## Built-in fridge with freezer section 140,0 x 56cm 5CE351FE0

### Performance and consumption

- Energy Efficiency Class: E
- Net capacity 222 l
- Net fridge capacity total: 220 l
- Net capacity freezer: - l
- Energy consumption: 124 kWh/a
- Climateclass: SN-ST
- Super Freezing: Yes
- Freezing capacity: - kg / 24h
- Storage time in power failure: - h

### Design

- Door on door

- LED interior light

### Convenience & Safety

- LED electronic control
- 1 Compressor /1 independent cooling system
- Automatic defrost in the refrigerator section
- Super-cooling

### Fridge Compartment

- 5 safety glass shelves, of which 4 are height adjustable
- 4 door trays

### Dimensions

- Niche Dimension (H x B x T): 140,0 cm x 56.0 cm x 55.0 cm
- Appliance Dimensions ( H x B x T): 139,7 cm x 56.0 cm x 55.0 cm

### Technische Informationen

- Door hinge right, changeable
- Connection Rating: 90 W
- 220 - 240 Volt

### Included accessories

### Optional accessories

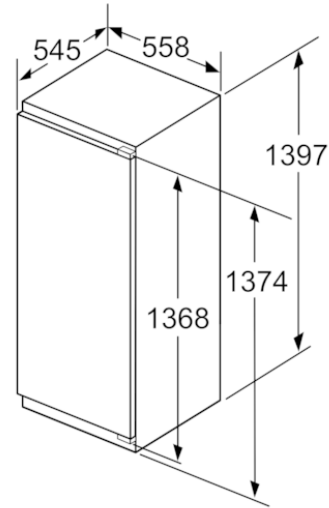
### Alternative colors available

### Technical Data

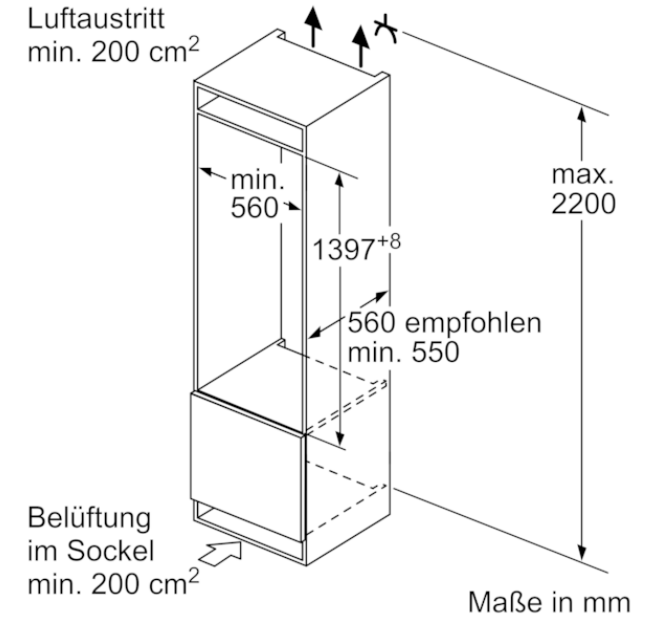
#### Ausstattungsmerkmale

Built-in / Free-standing : Built-in  
 Number of compressors : 1  
 Number of independent cooling systems : 1  
 Width of the appliance (mm): 558  
 High of the appliance (mm) : 1397  
 Depth of the appliance (mm) : 545  
 Net weight (kg) : 54,3  
 Required niche size for installation (H x B x T) (mm) : 1400 x 560 x 550  
 Door panel options : Not possible  
 Door hinge : Right reversible  
 Number of Adjustable Shelves in fridge compartment : 4  
 Shelves for Bottles: No  
 Frost free system : No  
 Interior ventilator: No  
 Reversible Door Hinge : Yes  
 Length electrical supply cord (cm) :230  
 Noise level dB(A) re 1 pW) : 37  
 Multi-Flow Air Tower : No  
 Energy saving function: No  
 Fast cooling switch : Yes  
 Fast freezing switch : No  
 Temperature Controlled Drawer : Yes  
 Humidity Control Drawer : Yes  
 Number of Door Bins - Refrigerator : 4  
 Door bin adjustability - Refrigerator : No  
 No Tilt-out door bins in fridge : No  
 Motorized Shelf : No  
 Door opened indicator freezer : No  
 Automatic motor-driven ice-maker : No  
 Power supply(W) : 90  
 Current (A) : 10  
 Voltage (V) : 220-240  
 Frequency (Hz) : 50  
 Approval certificates : CE, UKCA, VDE Art der Installation : Vollintegrierbar  
 Schalleistung (dB(A) re 1 pW) : 37  
 Energy Star Qualified : No  
 Plug type: Schuko-/Gardym.Erdung  
 Dimensions of the packed product (cm) :147,0 x 62,0 x 64,0  
 Net weight (Kg):54,3  
 Gross weight (Kg) : 57,5

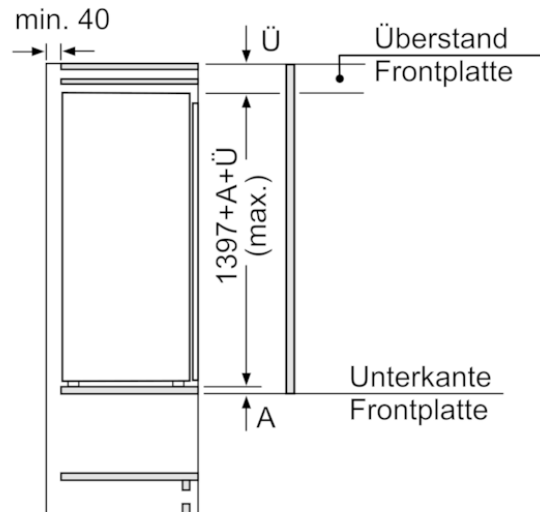
Einbau-Kühlschrank mit Gefrierfach, 140 x 56 cm  
5CE351FE0



Maße in mm

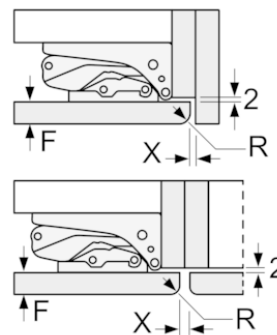


Maße in mm



Maße in mm

Maße in mm  
Empfehlung Spaltmaße für Flachscharnier



F	R	X
16-19	0-3	2,5
20	0-1	3
	2-3	2,5
21	0-1	3
	2-3	2,5
22	0	4
	1	3,5
	2-3	3

Die in der Tabelle empfohlenen Spaltmasse sind einzuhalten, um eine kollisionsfreie Öffnung der Gerätetüre zu gewährleisten und Beschädigungen am Küchenmöbel zu vermeiden.