



A++

Blaupunkt
5CF350FF1
Built-in larder fridge

Predecessor:

Successor:

EAN code:
4251003105315

sales programme:

built-in fridge with freezer section, 140 x 56 cm 5CF350FF1

- 5CF350FF1
- easy installation

Performance and consumption

- Energy Efficiency Class: A++ at a range of energy efficiency classes from A+++ to D
- Energy consumption: 196 kWh/yr
- Net capacity: 204 l
- Noise level: 38 dB(A) re 1 pW
- Climate Class: SN-ST

Design and Styling

- LED interior light in fridge section

Convenience & Safety

- 7 segment electronic control
- Super Cooling: automatic deactivation

Fridge Compartment

- Net fridge capacity total: 189 l
- 3 safety glass shelves, of which 3 are height adjustable
- 1 door trays high
- 4 door bins

Freshness System Freshness System

- 1 FreshSafe 3 0°C drawer with humidity control for optimal freshness; food stays fresh for up to three times longer due to two climate zones.

Freezer Section

- Net capacity **** freezer: 15 l
- Freezing capacity: 2.5 kg/24 h
- Storage time in power failure: 13 h

Dimensions

- Appliance Dimensions (H x W x D): 139.7 cm x 55.8 cm x 54.5 cm
- Niche Dimension (H x W x D): 140.0 cm x 56.0 cm x 55.0 cm

Technical Information

- Door right hinged, reversible
- Connected load: 90 W
- Nominal voltage: 220 - 240 V

Accessories

- egg tray ice cube tray

Country Specific Options

- Based on the results of the standard 24-hour test. Actual consumption depends on usage/position of the appliance.
- Gross capacity 224 l
- Gross capacity cooling 206 l
- Gross capacity**** freezer: 16 l (-18°C and below)

Included accessories

Optional accessories

Alternative colors available

Technical Data

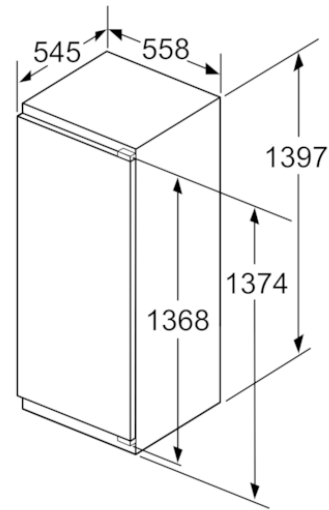
Characteristics

Built-in / Free-standing : Built-in
 Number of compressors : 1
 Number of independent cooling systems : 2
 Width of the appliance : 558
 Height (mm) : 1397
 Depth of the product : 495
 Net weight (kg) : 54.071
 Required niche size for installation (HxWxD) : 1400 x 560 x 550
 Door panel options : Not possible
 Door hinge : Right reversible
 Number of Adjustable Shelves in fridge compartment : 3
 Shelves for Bottles : No
 Frost free system : No
 Interior ventilator : No
 Reversible Door Hinge : Yes
 Length electrical supply cord (cm) : 230
 Noise level (dB) : 38
 Multi-Flow Air Tower : No
 Economy setting : No
 Cold technology : 1 compressor/2 cold circuits
 Fast cooling switch : Yes
 Temperature Controlled Drawer : No
 Humidity Control Drawer : No
 Number of Door Bins - Refrigerator : 4
 Door bin adjustability - Refrigerator : No
 Tilt-out door bins in fridge : No
 Gallon Storage : Yes
 Number of Gallon storage : 1
 No. of shelves in fridge : 4
 Motorized Shelf : No
 Material of the shelves : Glas, plastic
 Door opened indicator freezer : Yes

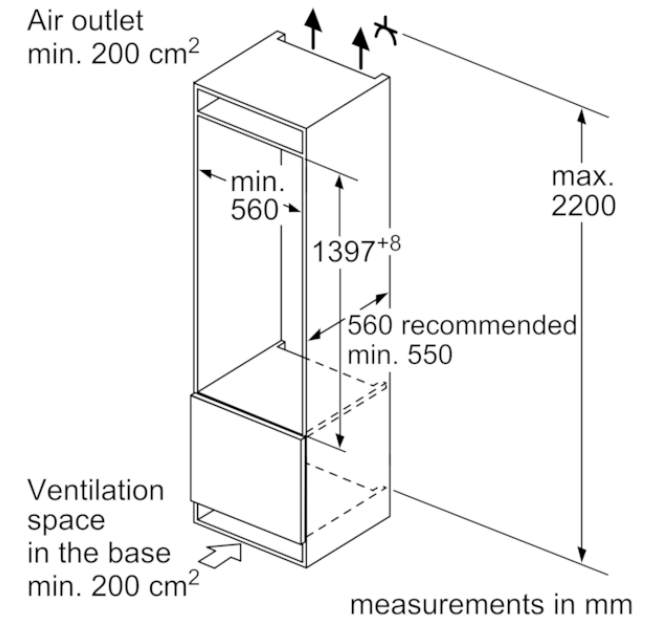
Consumption and connection features

Connection Rating (W) : 90
 Current (A) : 10
 Voltage (V) : 220-240
 Frequency (Hz) : 50
 Storage Period in Event of Power Failure (h) : 13
 Approval certificates : CE, VDE
 Main colour of product : White
 Door panel options : Not possible
 Installation typology : Full-integrated
 Noise level (dB) : 38
 Energy Star Qualified : No
 Dimensions of the packed product (in) : 57.87 x 24.40 x 25.19
 Net weight (lbs) : 119.000
 Gross weight (lbs) : 129.000

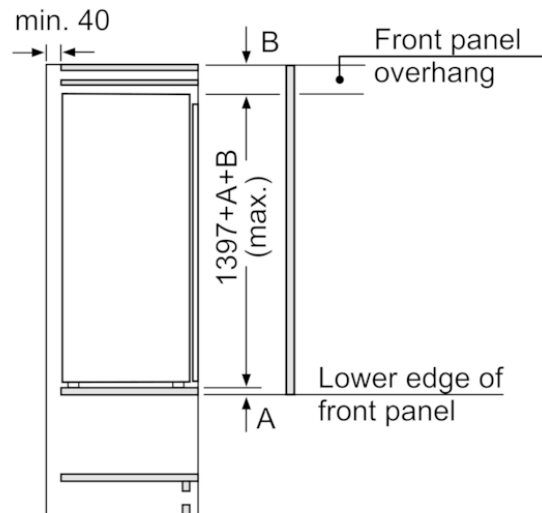
built-in fridge with freezer section, 140 x 56 cm
5CF350FF1



measurements in mm

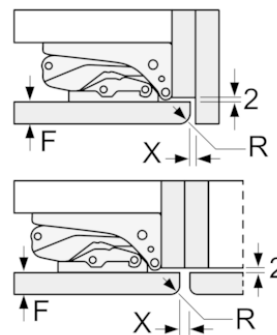


measurements in mm



measurements in mm

measurements in mm
Recommended gap dimensions for flat hinges



F	R	X
16-19	0-3	2.5
20	0-1	3
	2-3	2.5
21	0-1	3
	2-3	2.5
22	0	4
	1	3.5
	2-3	3

The gap dimensions recommended in the table must be adhered to in order to ensure that appliance doors do not collide with anything when they are opened, and to avoid causing damage to kitchen units.