



A++

Blaupunkt
5CG230FF0
Built-in refrigerator

Predecessor:

Successor:

EAN code:
4251003105261

sales programme:

built-in fridge with freezer section, 102.5 x 56 cm 5CG230FF0

- Built-in/under fridge
- Energy Efficiency Class: A++ at a range of energy efficiency classes from A+++ to D
- Energy consumption: 160 kWh/yr
- Net capacity: 158 l
- Net fridge capacity 4 - 8 ° C: 141 l
- Net capacity **** freezer: 17 l
- Storage time in power failure: 10 h
- Freezing capacity: 2 kg/24 h
- Climate Class: ST
- Noise level: 37 dB(A) re 1 pW
- fully integrat. with special hinged door

Design and Styling

- Flat hinge
- Easy clean interior
- Interior with metal applications

Convenience & Safety

- LED electronic control
- 1 compressor/1 cold circuit
- Automatic defrost in fridge section

Fridge Compartment

- 4 safety glass shelves, of which 3 are height adjustable
- Vegetable container
- 1 door trays high
- LED interior light

Freezer Section

- Ice compartment suited for Pizzas

Technical Information

- Door right hinged, reversible
- Connected load: 90 W
- Nominal voltage: 220 - 240 V

Dimensions

- Niche Dimension (H x W x D): 102.5 cm x 56.0 cm x 55.0 cm
- Appliance Dimensions (H x W x D): 102.1 cm x 54.1 cm x 54.2 cm

Accessories

- egg tray, ice cube tray

General Information

Environment and Safety

Installation

Included accessories

Optional accessories

Alternative colors available

Technical Data

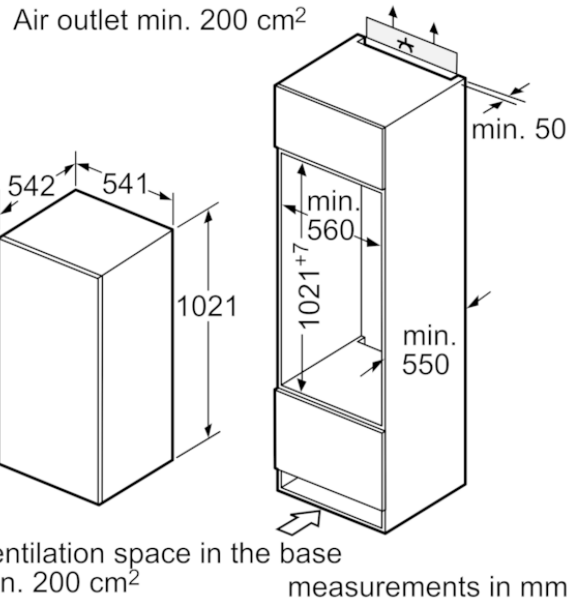
Characteristics

Built-in / Free-standing : Built-in
 Number of compressors : 1
 Number of independent cooling systems : 1
 Width of the appliance : 541
 Height (mm) : 1021
 Depth of the product : 542
 Net weight (kg) : 37.940
 Required niche size for installation (HxWxD) : 1025.0 x 560 x 550
 Door panel options : Not possible
 Door hinge : Right reversible
 Number of Adjustable Shelves in fridge compartment : 3
 Shelves for Bottles : No
 Frost free system : No
 Interior ventilator : No
 Reversible Door Hinge : Yes
 Length electrical supply cord (cm) : 230
 Noise level (dB) : 37
 Multi-Flow Air Tower : No
 Economy setting : No
 Cold technology : 1 compressor/1 cold circuit
 Fast cooling switch : No
 Temperature Controlled Drawer : No
 Humidity Control Drawer : No
 Number of Door Bins - Refrigerator : 4
 Door bin adjustability - Refrigerator : No
 Tilt-out door bins in fridge : No
 Gallon Storage : Yes
 Number of Gallon storage : 1
 No. of shelves in fridge : 4
 Motorized Shelf : No
 Material of the shelves : Glas, plastic, support grid, wood
 Door opened indicator freezer : No

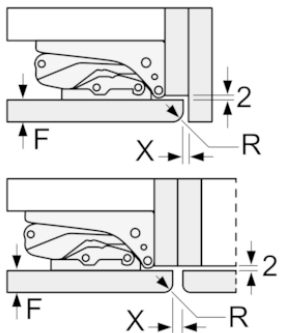
Consumption and connection features

Connection Rating (W) : 90
 Current (A) : 10
 Voltage (V) : 220-240
 Frequency (Hz) : 50
 Storage Period in Event of Power Failure (h) : 10
 Approval certificates : CE, VDE
 Main colour of product : White
 Door panel options : Not possible
 Installation typology : Full-integrated
 Noise level (dB) : 37
 Energy Star Qualified : No
 Dimensions of the packed product (in) : 43.30 x 24.40 x 25.19
 Net weight (lbs) : 84.000
 Gross weight (lbs) : 90.000

built-in fridge with freezer section, 102.5 x 56 cm
5CG230FF0



measurements in mm
Recommended gap dimensions for flat hinges



	F	R	X
16-19	0-3	2.5	
20	0-1	3	
	2-3	2.5	
21	0-1	3	
	2-3	2.5	
22	0	4	
	1	3.5	
	2-3	3	

The gap dimensions recommended in the table must be adhered to in order to ensure that appliance doors do not collide with anything when they are opened, and to avoid causing damage to kitchen units.