



5CK23020

Built-in/under fridge

Integrable, Sliding hinge



### 5CK23020 White

#### Performance and consumption

- Energy Efficiency Class: A+
- 0.345 kwh/24 h energy consumption
- Net fridge capacity: 181 l
- Noise level: 34 dB(A) re 1 pW
- Energy Efficiency Class: A+ kWh/yr: 126

#### Design

- Sliding hinge
- Easy clean interior

#### Comfort and Safety

- Mechanical control
- 1 compressor/1 cold circuit
- Automatic defrost in fridge section

#### Fridge Section

- Net fridge capacity: 181 l
- 5 safety glass shelves of which 4 are height adjustable
- Vegetable container with wave bottom
- 4 door bins
- 1 fridge light

#### Technical Information

- Door right hinged, reversible
- Connected load: 90 W
- Nominal voltage: 220 - 240 V
- Climate Class: SN-ST

#### Dimensions

- Niche Dimension (H x W x D): 102.5 cm x 56.0 cm x 55.0 cm
- Dimensions ( H x W x D): 102.1 cm x 54.1 cm x 54.2 cm

#### Accessories

- 1 x egg tray

#### Environment and Safety

#### Country Specific Options

- Gross capacity 185 l
- Gross capacity cooling 185 l
- Based on the results of the standard 24-hour test. Actual consumption depends on usage/position of the appliance.

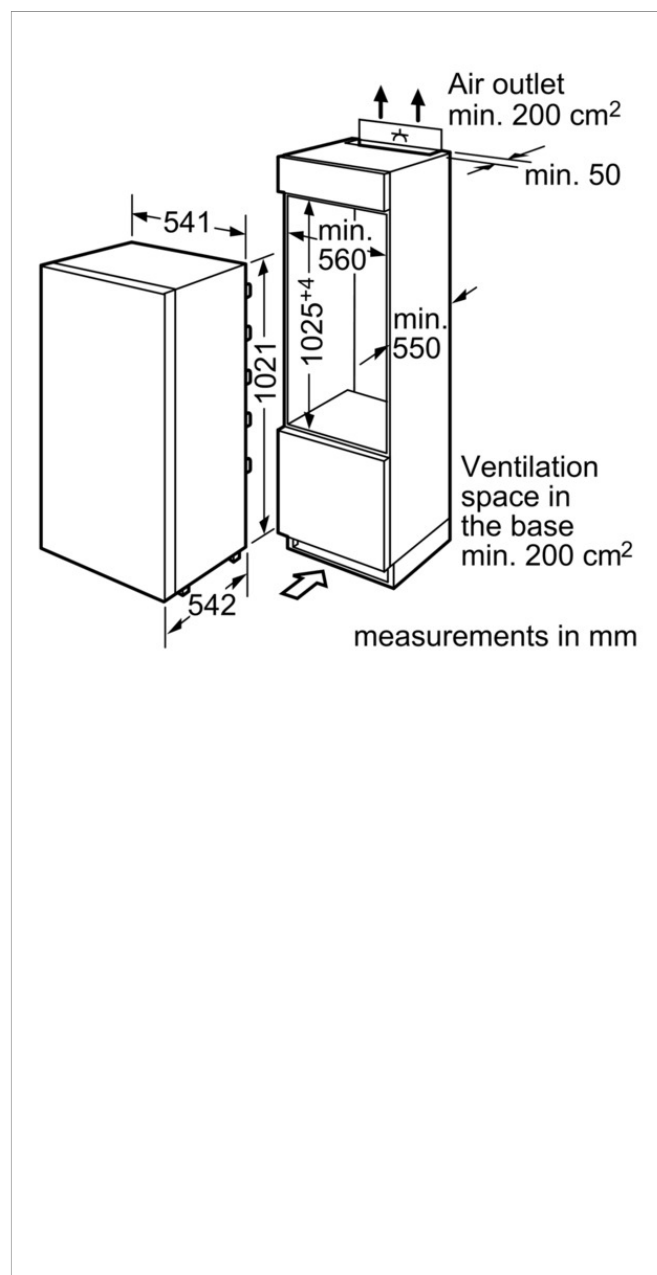
#### Installation

4251003100570

## 5CK23020

### Built-in/under fridge

### Integrable, Sliding hinge



#### Characteristics

Built-in / Free-standing: Built-in  
 Number of compressors: 1  
 Number of independent cooling systems: 1  
 Width of the product (mm): 541  
 Height (mm): 1021  
 Depth of the product: 542  
 Net weight (kg): 36.0  
 Required niche size for installation (HxWxD): 1025.0 x 560 x 550  
 Door panel options: Not possible  
 Door hinge: Right reversible  
 Number of Adjustable Shelves in fridge compartment: 4  
 Shelves for Bottles: No  
 Frost free system: No  
 Interior ventilator: No  
 Reversible Door Hinge: Yes  
 Length electrical supply cord (cm): 230  
 Noise level (dB): 34  
 Multi-Flow Air Tower: No  
 Economy setting: No  
 Cold technology: 1 compressor/1 cold circuit  
 Fast cooling switch: No  
 Number of Door Bins - Refrigerator: 3  
 Door bin adjustability - Refrigerator: No  
 Tilt-out door bins in fridge: Yes  
 Gallon Storage: Yes  
 Number of Gallon storage: 1  
 No. of shelves in fridge: 5  
 Motorized Shelf: No  
 Material of the shelves: Glas  
 Door opened indicator freezer: No

#### Consumption and connection features

Connection Rating (W): 90  
 Current (A): 10  
 Voltage (V): 220-240  
 Frequency (Hz): 50  
 Energy consumption (kWh):  
 Freezing capacity (kg):  
 Storage Period in Event of Power Failure (h):  
 Approval certificates: VDE  
 Universal Product Code:  
 Main colour of product: White  
 Door panel options: Not possible  
 Installation typology: Full-integrated  
 Noise level (dB): 34  
 Total annual energy consumption (kWh):  
 Energy Star Qualified: No  
 Length of electrical supply cord (in):