



A++

Blaupunkt
5CL280FF0
Built-in larder fridge

Predecessor:

Successor:

EAN code:
4251003105346

sales programme:

built-in fridge, 177.5 x 56 cm 5CL280FF0

Performance and consumption

- Energy Efficiency Class: A++ at a range of energy efficiency classes from A+++ to D
- Energy consumption: 116 kWh/yr
- Net capacity: 319 l
- Noise level: 37 dB(A) re 1 pW

Design and Styling

- Type of hinge: fixed hinge
- Easy clean interior
- LED interior light in fridge section

Convenience & Safety

- LED electronic control
- 1 compressor/1 cold circuit
- Automatic defrost in fridge section
- Super Cooling: automatic deactivation

Fridge Compartment

- Net fridge capacity total: 319 l
- 7 safety glass shelves, of which 6 are height adjustable
- 6 door bins

Freshness System Freshness System

- 2 vegetable containers

Dimensions

- Niche Dimension (H x W x D): 177.5 cm x 56.0 cm x 55.0 cm
- Appliance Dimensions (H x W x D): 177.2 cm x 54.1 cm x 54.5 cm

Technical Information

- Door right hinged, reversible
- Connected load: 90 W
- Nominal voltage: 220 - 240 V

Accessories

- egg tray

Country Specific Options

- Gross capacity 321 l
- Gross capacity cooling 321 l
- Based on the results of the standard 24-hour test. Actual consumption depends on usage/position of the appliance.

Environment and Safety

Installation

Included accessories

Optional accessories

- KSZ10020 Bottle Rack

Alternative colors available

Technical Data

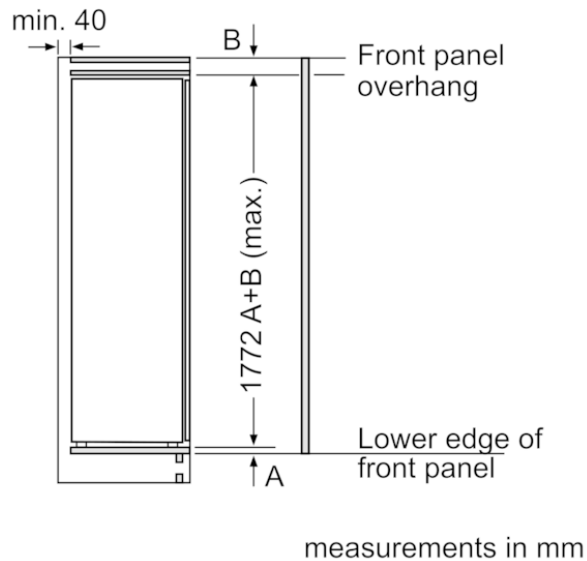
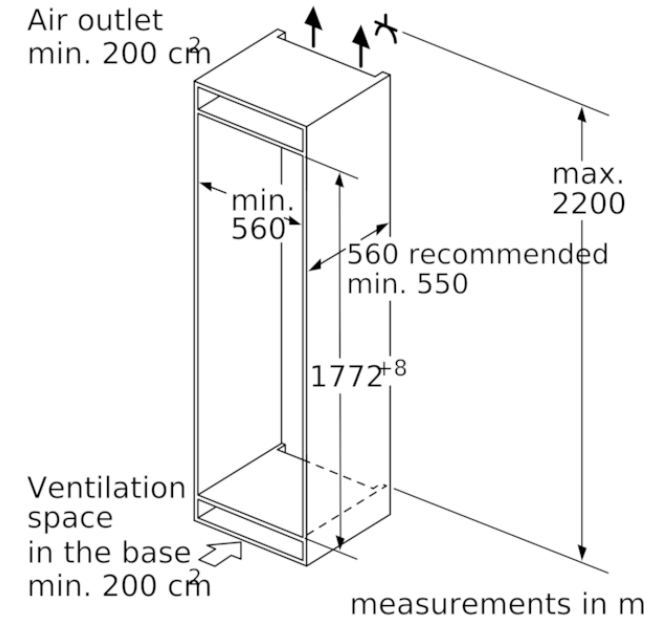
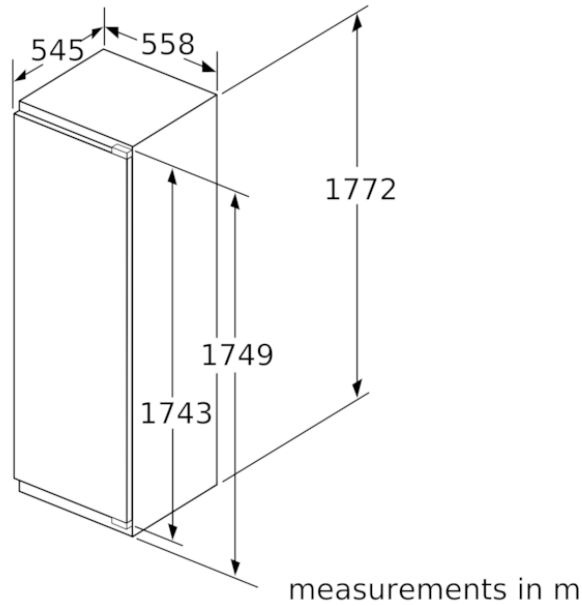
Characteristics

Built-in / Free-standing : Built-in
 Number of compressors : 1
 Number of independent cooling systems : 1
 Width of the appliance : 541
 Height (mm) : 1772
 Depth of the product : 545
 Net weight (kg) : 59.975
 Required niche size for installation (HxWxD) : 1775.0 x 560 x 550
 Door panel options : Not possible
 Door hinge : Right reversible
 Number of Adjustable Shelves in fridge compartment : 6
 Shelves for Bottles : No
 Frost free system : No
 Interior ventilator : No
 Reversible Door Hinge : Yes
 Length electrical supply cord (cm) : 230
 Noise level (dB) : 37
 Multi-Flow Air Tower : No
 Economy setting : No
 Cold technology : 1 compressor/1 cold circuit
 Fast cooling switch : Yes
 Temperature Controlled Drawer : No
 Humidity Control Drawer : No
 Number of Door Bins - Refrigerator : 6
 Door bin adjustability - Refrigerator : No
 Tilt-out door bins in fridge : No
 Gallon Storage : Yes
 Number of Gallon storage : 2
 No. of shelves in fridge : 7
 Motorized Shelf : No
 Material of the shelves : Glas, plastic
 Door opened indicator freezer : No

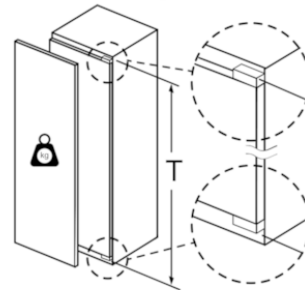
Consumption and connection features

Connection Rating (W) : 90
 Current (A) : 10
 Voltage (V) : 220-240
 Frequency (Hz) : 50
 Approval certificates : CE, VDE
 Main colour of product : N/A
 Door panel options : Not possible
 Installation typology : Full-integrated
 Noise level (dB) : 37
 Energy Star Qualified : No
 Dimensions of the packed product (in) : 72.44 x 24.40 x 25.19
 Net weight (lbs) : 132.000
 Gross weight (lbs) : 144.000

built-in fridge, 177.5 x 56 cm
5CL280FF0



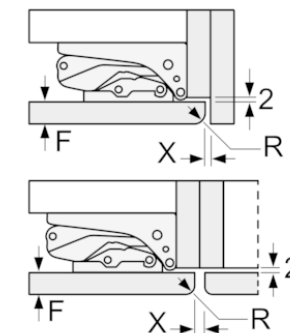
Maximal permissible weight of the unit fronts



Fitted kitchen unit doors that exceed the permissible weight may cause damage and result in functional impairment of the hinges.

Hinges in mm:	undamped hinge, Door in kg:	damped hinge, Door in kg:
1500-1750	22	22

measurements in mm
Recommended gap dimensions for flat hinges



F	R	X
16-19	0-3	2.5
20	0-1	3
	2-3	2.5
21	0-1	3
	2-3	2.5
22	0	4
	1	3.5
	2-3	3

The gap dimensions recommended in the table must be adhered to in order to ensure that appliance doors do not collide with anything when they are opened, and to avoid causing damage to kitchen units.