



A++

Blaupunkt
5CN210FF0
built-in Refrigerator

Predecessor:

Successor:

EAN code:
4251003105377

sales programme:

**built-under fridge, 82 x 60 cm
5CN210FF0**

Performance and consumption

- Energy Efficiency Class: A++ at a range of energy efficiency classes from A+++ to D
- Energy consumption: 92 kWh/yr
- Net capacity: 137 l
- Noise level: 38 dB(A) re 1 pW

Design and Styling

- Ventilation in plinth, no cut-out in the worksurface necessary
- Easy clean interior
- LED interior light in fridge section

Convenience & Safety

- Electromechanical temperature control
- 1 compressor/1 cold circuit
- Automatic defrost in fridge section
- Door shutter and door stop, reversible

Fridge Compartment

- Net fridge capacity total: 137 l
- 3 safety glass shelves, of which 2 are height adjustable
- 1 door shelf large, 2 door shelf small
- Bottle holder in x-deep door tray

Freshness System Freshness System

- 2 vegetable containers

Technical Information

- Height adjustable feet in the front
- Door right hinged, reversible
- Climate Class: SN-ST
- Connected load: 90 W
- Nominal voltage: 220 - 240 V

Dimensions

- Niche Dimension (H x W x D): 82.0 cm x 60.0 cm x 55.0 cm
- Appliance Dimensions (H x W x D): 82.0 cm x 59.8 cm x 54.8 cm

Accessories

- egg tray

General Information

Country Specific Options

- Gross capacity 139 l
- Gross capacity cooling 139 l
- Based on the results of the standard 24-hour test. Actual consumption depends on usage/position of the appliance.

Included accessories

Optional accessories

Alternative colors available

Technical Data

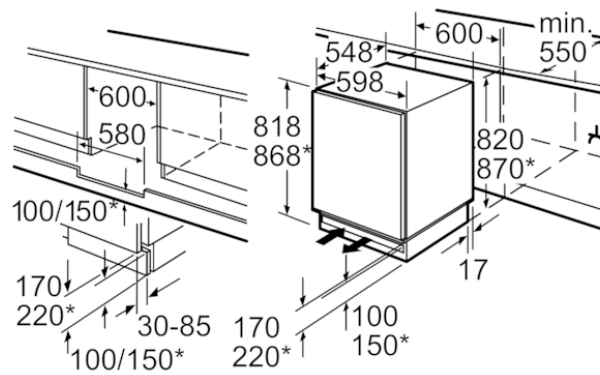
Characteristics

Built-in / Free-standing : Built-in
 Number of compressors : 1
 Number of independent cooling systems : 1
 Width of the appliance : 598
 Height (mm) : 820
 Depth of the product : 548
 Net weight (kg) : 34.001
 Required niche size for installation (HxWxD) : 820 x 600 x 550
 Door panel options : Possible but accessory
 Door hinge : Right reversible
 Number of Adjustable Shelves in fridge compartment : 2
 Shelves for Bottles : No
 Frost free system : No
 Interior ventilator : No
 Reversible Door Hinge : Yes
 Length electrical supply cord (cm) : 230
 Noise level (dB) : 38
 Multi-Flow Air Tower : No
 Economy setting : No
 Cold technology : 1 compressor/1 cold circuit
 Fast cooling switch : No
 Temperature Controlled Drawer : No
 Humidity Control Drawer : No
 Number of Door Bins - Refrigerator : 3
 Door bin adjustability - Refrigerator : No
 Tilt-out door bins in fridge : No
 Gallon Storage : Yes
 Number of Gallon storage : 1
 No. of shelves in fridge : 3
 Motorized Shelf : No
 Material of the shelves : Glas, plastic
 Door opened indicator freezer : No

Consumption and connection features

Connection Rating (W) : 90
 Current (A) : 10
 Voltage (V) : 220-240
 Frequency (Hz) : 50
 Approval certificates : CE, VDE
 Main colour of product : N/A
 Door panel options : Possible but accessory
 Installation typology : Built-under
 Noise level (dB) : 38
 Energy Star Qualified : No
 Dimensions of the packed product (in) : 35.03 x 26.37 x 24.40
 Net weight (lbs) : 75.000
 Gross weight (lbs) : 82.000

built-under fridge, 82 x 60 cm
5CN210FF0



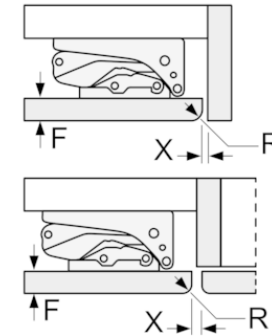
* variable base/substructure height

Space for electrical connection next to the appliance on the left or right-hand side.
Ventilation space in the base.

measurements in mm

measurements in mm

Recommended gap dimensions for flat hinges



	F	R	X
16-19		0-3	2.5
20		0-1	3
		2-3	2.5
21		0-1	3
		2-3	2.5
22		0	4
		1	3.5
		2-3	3

The gap dimensions recommended in the table must be adhered to in order to ensure that appliance doors do not collide with anything when they are opened, and to avoid causing damage to kitchen units.