



A++

Blaupunkt  
5CP210FF0  
built-in Refrigerator

Predecessor:

Successor:

EAN code:  
4251003105384

sales programme:

**built-under fridge with freezer section, 82 x 60 cm**  
**5CP210FF0**

#### Performance and consumption

- Energy Efficiency Class: A++ at a range of energy efficiency classes from A+++ to D
- Energy consumption: 140 kWh/yr
- Net capacity: 123 l
- Noise level: 38 dB(A) re 1 pW

#### Design and Styling

- Ventilation in plinth, no cut-out in the worksurface necessary
- Easy clean interior
- LED interior light in fridge section

#### Convenience & Safety

- LED electronic control
- Automatic defrost in fridge section
- 1 compressor/1 cold circuit
- Door shutter and door stop, reversible

#### Fridge Compartment

- Net fridge capacity total: 108 l
- 2 safety glass shelves of which 1 are height adjustable
- 1 door shelf large, 2 door shelf small
- Bottle holder in x-deep door tray

#### Freshness System Freshness System

- 2 vegetable containers

#### Freezer Section

- Net capacity \*\*\*\* freezer: 15 l
- Freezing capacity: 2 kg/24 h
- Storage time in power failure: 10 h
- 1 hinged freezer compartment

#### Technical Information

- Height adjustable feet in the front
- Door right hinged, reversible
- Connected load: 90 W
- Nominal voltage: 220 - 240 V
- Climate Class: SN-ST

#### Dimensions

- Niche Dimension (H x W x D): 82.0 cm x 60.0 cm x 55.0 cm
- Appliance Dimensions ( H x W x D): 82.0 cm x 59.8 cm x 54.8 cm

#### Accessories

- egg tray ice cube tray

#### Country Specific Options

- Gross capacity 131 l

#### Included accessories

#### Optional accessories

#### Alternative colors available

#### Technical Data

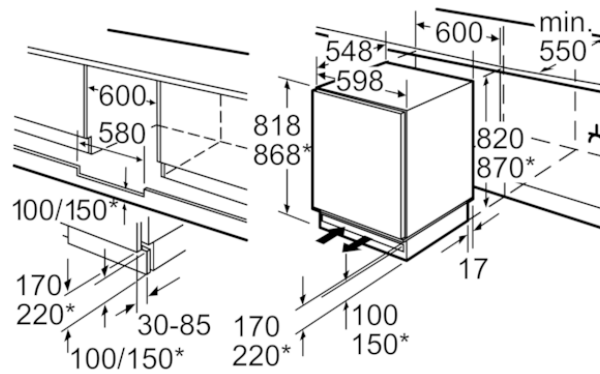
##### Characteristics

Built-in / Free-standing : Built-in  
 Number of compressors : 1  
 Number of independent cooling systems : 1  
 Width of the appliance : 598  
 Height (mm) : 820  
 Depth of the product : 548  
 Net weight (kg) : 34.438  
 Required niche size for installation (HxWxD) : 820 x 600 x 550  
 Door panel options : Possible but accessory  
 Door hinge : Right reversible  
 Number of Adjustable Shelves in fridge compartment : 1  
 Shelves for Bottles : No  
 Frost free system : No  
 Interior ventilator : No  
 Reversible Door Hinge : Yes  
 Length electrical supply cord (cm) : 230  
 Noise level (dB) : 38  
 Multi-Flow Air Tower : No  
 Economy setting : No  
 Cold technology : 1 compressor/1 cold circuit  
 Fast cooling switch : No  
 Temperature Controlled Drawer : No  
 Humidity Control Drawer : No  
 Number of Door Bins - Refrigerator : 3  
 Door bin adjustability - Refrigerator : No  
 Tilt-out door bins in fridge : No  
 Gallon Storage : Yes  
 Number of Gallon storage : 1  
 No. of shelves in fridge : 2  
 Motorized Shelf : No  
 Material of the shelves : Glas, plastic, support grid, wood  
 Door opened indicator freezer : No

##### Consumption and connection features

Connection Rating (W) : 90  
 Current (A) : 10  
 Voltage (V) : 220-240  
 Frequency (Hz) : 50  
 Storage Period in Event of Power Failure (h) : 10  
 Approval certificates : CE, VDE  
 Main colour of product : White  
 Door panel options : Possible but accessory  
 Installation typology : Built-under  
 Noise level (dB) : 38  
 Energy Star Qualified : No  
 Dimensions of the packed product (in) : 35.03 x 26.37 x 24.40  
 Net weight (lbs) : 76.000

built-under fridge with freezer section, 82 x 60 cm  
5CP210FF0



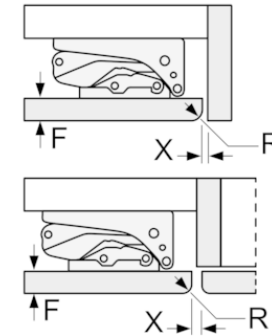
\* variable base/substructure height

Space for electrical connection next to the appliance on the left or right-hand side.  
Ventilation space in the base.

measurements in mm

measurements in mm

Recommended gap dimensions for flat hinges



	F	R	X
16-19		0-3	2.5
20		0-1	3
		2-3	2.5
21		0-1	3
		2-3	2.5
22		0	4
		1	3.5
		2-3	3

The gap dimensions recommended in the table must be adhered to in order to ensure that appliance doors do not collide with anything when they are opened, and to avoid causing damage to kitchen units.