



A++

Blaupunkt
5CR286FF0
Integrated fridge/freezer

Predecessor:

Successor:

EAN code:
4251003105360

sales programme:

**built-in fridge-freezer with freezer at bottom, 177.2 x 54.1 cm
5CR286FF0**

Performance and consumption

- Energy Efficiency Class: A++ at a range of energy efficiency classes from A+++ to D
- Energy consumption: 222 kWh/yr
- Net capacity: 254 l
- Noise level: 39 dB(A) re 1 pW

Design and Styling

- Type of hinge: fixed hinge
- LED interior light in fridge section

Convenience & Safety

- 7 segment electronic control
- 1 compressor/1 cold circuit
- Automatic defrost in fridge section
- Super Freezing: Manual/automatic activation

Fridge Compartment

- Net fridge capacity total: 187 l
- 4 safety glass shelves of which 3 are height adjustable
- 4 door bins
- LED interior light

Freshness System Freshness System

- Vegetable container

Freezer Section

- Nofrost - never again defrosting!
- Net capacity **** freezer: 67 l
- Freezing capacity: 8 kg/24 h
- Storage time in power failure: 13 h
- 3 transparent freezer drawers, incl.1 big box

Dimensions

- Appliance Dimensions (H x W x D): 177.2 cm x 54.1 cm x 54.5 cm
- Niche Dimension (H x W x D): 177.5 cm x 56.0 cm x 55.0 cm

Technical Information

- Door right hinged, reversible
- Connected load: 90 W
- Nominal voltage: 220 - 240 V
- Climate Class: SN-ST

Accessories

- egg tray ice cube tray

Country Specific Options

- Gross capacity 272 l
- Gross capacity cooling 189 l

Included accessories

Optional accessories

- KS10Z020 Bottle Rack
- KSZ10020 Bottle Rack

Alternative colors available

Technical Data

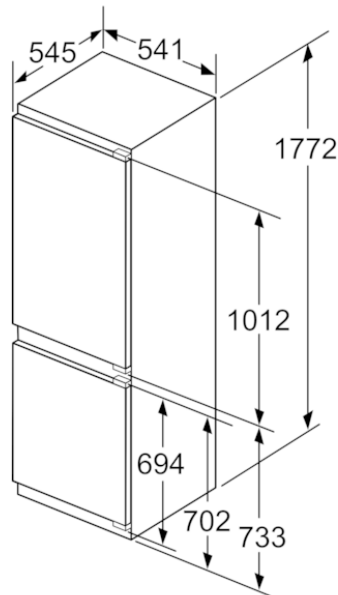
Characteristics

Built-in / Free-standing : Built-in
 Number of compressors : 1
 Number of independent cooling systems : 1
 Width of the appliance : 541
 Depth of the product : 545
 Net weight (kg) : 63.605
 Required niche size for installation (HxWxD) : 177.5.0 x 56.0 x 55.0
 Door panel options : Not possible
 Door hinge : Right reversible
 Number of Adjustable Shelves in fridge compartment : 3
 Shelves for Bottles : No
 Frost free system : Freezer
 Interior ventilator : Yes
 Reversible Door Hinge : Yes
 Length electrical supply cord (cm) : 230
 Noise level (dB) : 39
 Multi-Flow Air Tower : No
 Fast cooling switch : No
 Fast freezing switch : Yes
 Temperature Controlled Drawer : No
 Humidity Control Drawer : No
 Number of Door Bins - Refrigerator : 4
 Door bin adjustability - Refrigerator : No
 Tilt-out door bins in fridge : No
 Gallon Storage : Yes
 Number of Gallon storage : 1
 Motorized Shelf : No
 Door opened indicator freezer : Yes
 Drawers with telescopic rails : none
 Automatic motor-driven ice-maker : No

Consumption and connection features

Connection Rating (W) : 90
 Current (A) : 10
 Voltage (V) : 220-240
 Frequency (Hz) : 50
 Storage Period in Event of Power Failure (h) : 13
 Approval certificates : CE, VDE
 Main colour of product : N/A
 Door panel options : Not possible
 Noise level (dB) : 39
 Energy Star Qualified : No
 Approval certificates : CE, VDE
 Dimensions of the packed product (in) : 72.44 x 24.40 x 25.19
 Net weight (lbs) : 140.000
 Gross weight (lbs) : 152.000

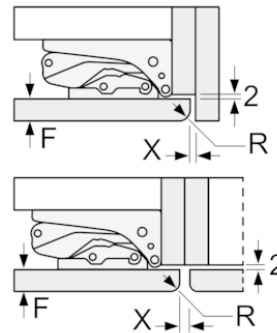
built-in fridge-freezer with freezer at bottom, 177.2 x 54.1 cm
5CR286FF0



measurements
in mm

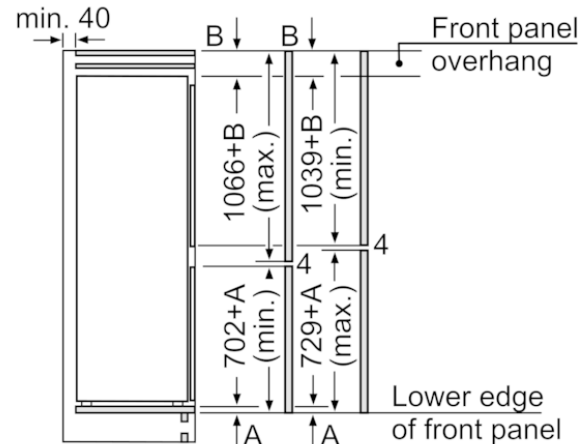
measurements in mm

Recommended gap dimensions for flat hinges



F	R	X
16-19	0-3	2.5
20	0-1	3
21	2-3	2.5
	0-1	3
22	2-3	2.5
	0	4
	1	3.5
	2-3	3

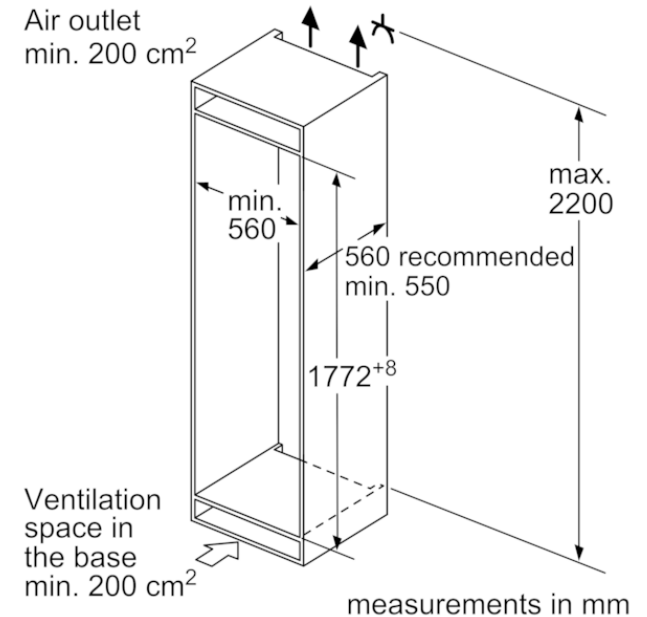
The gap dimensions recommended in the table must be adhered to in order to ensure that appliance doors do not collide with anything when they are opened, and to avoid causing damage to kitchen units.



The specified unit door dimensions are valid for a door gap of 4 mm.

measurements in mm

Air outlet
min. 200 cm²



measurements in mm