

5CT24020

Built-in fridge freezer, top freezer



5CT24020 White

Performance and consumption

- Energy Efficiency Class: A+
- Energy consumption: 229 kWh/yr
- Net capacity: 190 l
- Net fridge capacity 4 - 8 ° C: 149 l
- Climate Class: SN-ST
- Noise level: 39 dB(A) re 1 pW
- fully integrat. with special hinged door

Design

- Sliding hinge
- Easy clean interior
- Interior with metal applications

Comfort and Safety

- Mechanical control
- 1 compressor/1 cold circuit
- Automatic defrost in fridge section

Fridge Section

- Net fridge capacity: 149 l
- 4 safety glass shelves of which 3 are height adjustable
- Vegetable container with wave bottom
- 4 door bins
- 1 fridge light

Freezer Section

- Net capacity **** freezer: 41 l
- Storage time in power failure: 17 h
- Freezing capacity: 2 kg/24 h
- 1 hinged freezer compartment
- 1 height-adjustable wire grid

Technical Information

- Door right hinged, reversible
- Connected load: 90 W
- Nominal voltage: 220 - 240 V

Dimensions

- Niche Dimension (H x W x D): 122.5 cm x 56.0 cm x 55.0 cm
- Dimensions (H x W x D): 122.1 cm x 54.1 cm x 54.2 cm

Accessories

- 1 x egg tray

General Information

Environment and Safety

Country Specific Options

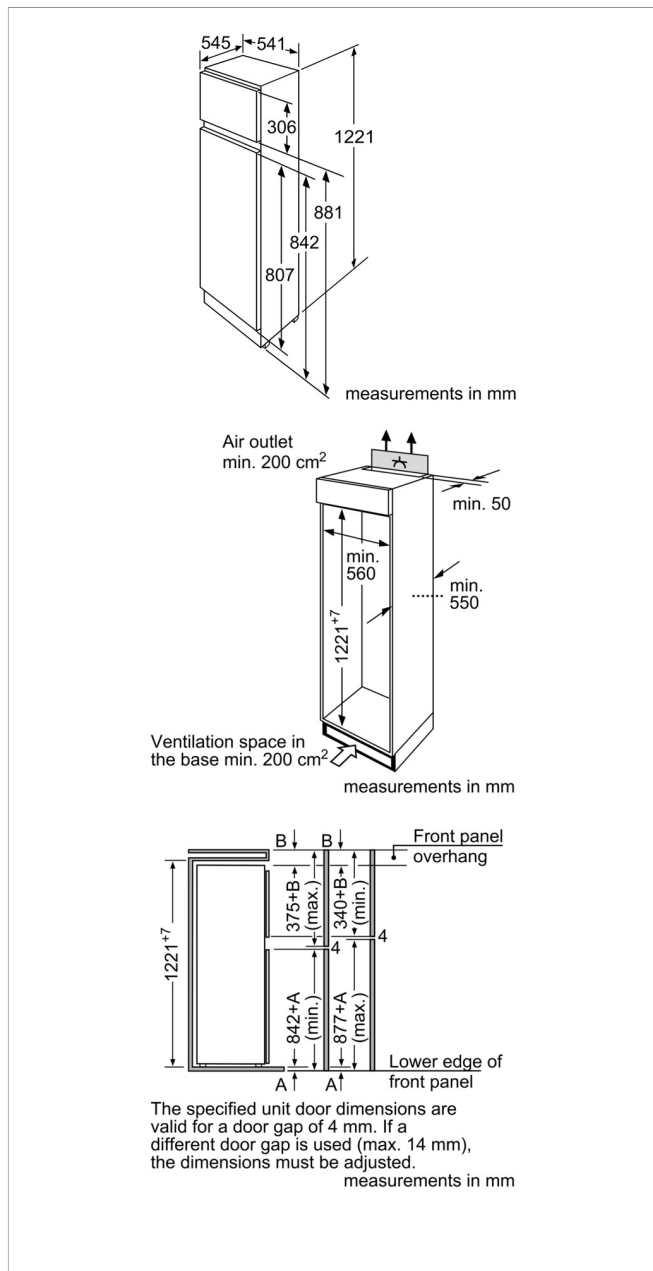
- Gross capacity 193 l
- Gross capacity cooling 152 l
- Based on the results of the standard 24-hour test. Actual consumption depends on usage/position of the appliance.

Installation

4251003100631

5CT24020

Built-in fridge freezer, top freezer



Characteristics

Built-in / Free-standing: Built-in
 Number of compressors: 1
 Number of independent cooling systems: 1
 Width of the product (mm): 541
 Height (mm): 1221
 Depth of the product: 542
 Net weight (kg): 41.0
 Required niche size for installation (HxWxD): 1225.0 x 560 x 550
 Door panel options: Not possible
 Door hinge: Right reversible
 Number of Adjustable Shelves in fridge compartment: 3
 Shelves for Bottles: No
 Frost free system: No
 Interior ventilator: No
 Reversible Door Hinge: Yes
 Length electrical supply cord (cm): 230
 Noise level (dB): 39
 Multi-Flow Air Tower: No
 Fast cooling switch: No
 Fast freezing switch: No
 Number of Door Bins - Refrigerator: 3
 Door bin adjustability - Refrigerator: No
 Tilt-out door bins in fridge: Yes
 Gallon Storage: Yes
 Number of Gallon storage: 1
 Motorized Shelf: No
 Material of the shelves: Safety glass
 Door opened indicator freezer: No
 Automatic motor-driven ice-maker: No

Consumption and connection features

Connection Rating (W): 90
 Current (A): 10
 Voltage (V): 220-240
 Frequency (Hz): 50
 Energy consumption (kWh):
 Freezing capacity (kg):
 Storage Period in Event of Power Failure (h): 17
 Approval certificates: VDE
 Universal Product Code:
 Main colour of product: White
 Door panel options: Not possible
 Noise level (dB): 39
 Total annual energy consumption (kWh):
 Energy Star Qualified: No
 Approval certificates: VDE
 Length of electrical supply cord (in):
 Plug type: GARDY plug w/ earthing
 Required niche size for installation (in): 49.4 x 20.9 x 21.7