



A+

Blaupunkt
5FG220SE0
Built-in upright freezer

Predecessor:

Successor:

EAN code:
4251003105247

sales programme:

built-in freezer, 87.4 x 53.1 cm
5FG220SE0

General Information

- Combined to Fridge/Freezer combination

Performance and consumption

- Energy Efficiency Class: A+ at a range of energy efficiency classes from A+++ to D
- Net capacity: 94 l
- Noise level: 38 dB(A) re 1 pW
- fully integrat. with special hinged door

Design and Styling

- Type of hinge: Follow-door

Convenience & Safety

- Electromechanical temperature control
- Warning System by temperature increase

Freezer Section

- Net capacity **** freezer: 94 l
- 4 transparent freezer drawers
- Super Freezing: manual activation
- Freezing capacity: 10 kg/24 h
- Storage time in power failure: 22 h

Technical Information

- Door right hinged, reversible
- Connected load: 90 W
- Nominal voltage: 220 - 240 V
- Climate Class: SN-ST

Dimensions

- Appliance Dimensions (H x W x D): 87.4 cm x 53.1 cm x 54.2 cm
- Niche Dimension (H x W x D): 88.0 cm x 56.0 cm x 55.0 cm

Accessories

Environment and Safety

Country Specific Options

- Gross capacity 106 l
- Based on the results of the standard 24-hour test. Actual consumption depends on usage/position of the appliance.

Included accessories

Optional accessories

Alternative colors available

Technical Data

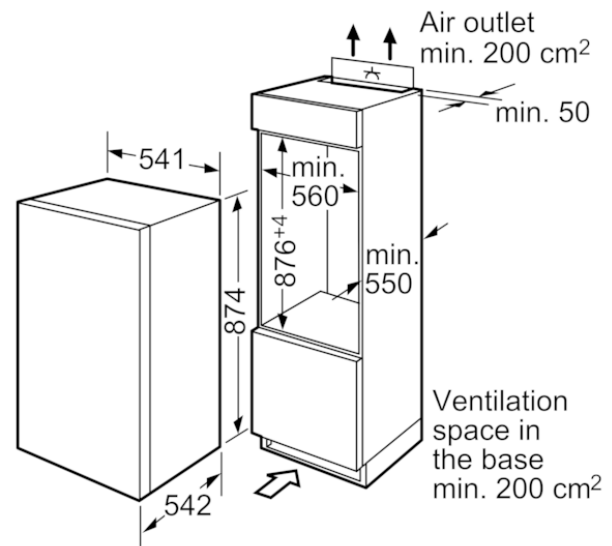
Characteristics

Product category : Upright freezer
Built-in / Free-standing : Built-in
Color / Material body : White
Frost free system : No
Climate class : SN-ST
Door panel options : Not possible
Width of the appliance : 531
Depth of the product : 542
Dimensions of the packed product (HxWxD) (mm) : 950 x 630 x 610
Warning signal / malfunction : Visual
Defrost process : manual
Cover door installation system : #####
Number of drawers/baskets (Stck) : 4
Number of freezing flaps (Stck) : 0
Lockable door : No
Thermometer freeze section : None
Light : No
Length electrical supply cord (cm) : 230
Door hinge : Right reversible
Net weight (kg) : 34.578
Gross weight (kg) : 37.0
Multi-Flow Air Tower : No
Number of compressors : 1
Number of independent cooling systems : 1
Economy setting : No
Fast freezing switch : Yes
Number of Door Bins - Freezer : 0
Door bin adjustability - Freezer : No
Tilt-out door bins in freezer : No
Door bin adjustability - Freezer : No
Reversible Door Hinge : Yes

Consumption and connection features

Connection Rating (W) : 90
Current (A) : 10
Frequency (Hz) : 50
Approval certificates : CE, VDE
Main colour of product : White
Door panel options : Not possible
Installation typology : Full-integrated
Noise level (dB) : 38
Energy Star Qualified : No
Approval certificates : CE, VDE
Dimensions of the packed product (in) : 37.40 x 24.01 x 24.80
Net weight (lbs) : 76.000
Gross weight (lbs) : 82.000

built-in freezer, 87.4 x 53.1 cm
5FG220SE0



measurements in mm