

## Built-in combination steam cooker



5C90S8990

EG1542



### Additional accessories available

#### Universal pan (grey)

SZ 50CB10E0

EG12642

#### Temperature probe

SZ 50TE10E1

EG15422

#### Multi-use wire shelf

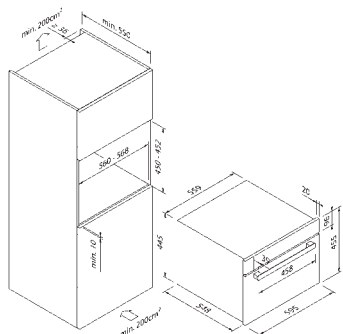
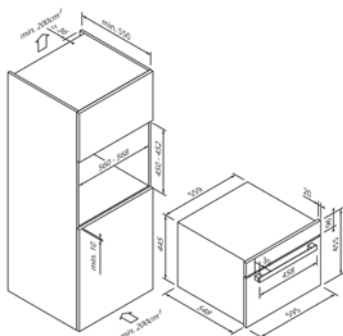
SZ 50CR10X0

EG12641

#### Steamer insert (stainless steel)

SZ 50CS10E0

EG15421



Design	
Colour	Black / Dark Steel
Operating modes & functions	
Number of heating types	13
Top / bottom heat	•/•
Hot air / Hot air Eco	•/•
Circulation	•
Circulation grill	•
Large area grill	•
Small area grill	•
Pizza level	•
Defrosting	•
Dough process	•
Steam-cooking	•
Microwave	–
Combination functions	Steam cooking assistance 3 programmes

Operating comfort & equipment	
Operation	Touch control with slider
Display / Colour	Digital / White
Door damping	–
Temperature recommendation	•
Defrosting programmes	•
Child lock	•
Cleaning	Descaling programme
Water tank volume (in litres)	1
Cooking chamber capacity (in litres)	50

Accessories included**	
Accessories included	Multi-use wire shelf, Enamelled baking tray, Steam cooking tray XL - perforated, Temperature probe

Technical data	
Energy efficiency class	–
Connected load	3,0 kW / 220 – 240 V
Fuse protection (in A)	13 V
Fuse protection (in A)	13 A
Frequency (in Hz)	50 Hz
Plug type	
Length of connection cable (in cm)	150 cm
Net weight (in KG)	33.73 kg
Gross weight (in KG)	37.26 kg
Dimensions of the packaged appliance (H x W x D)	55,0 x 70,0 x 67,0 cm
Appliance dimensions (H x W x D)	45,4 x 59,5 x 56,8 cm
Installation dimensions (H x W x D)	45,0 x 56,0 x 55,0 cm
EAN	4251003105049

Note	
Note	