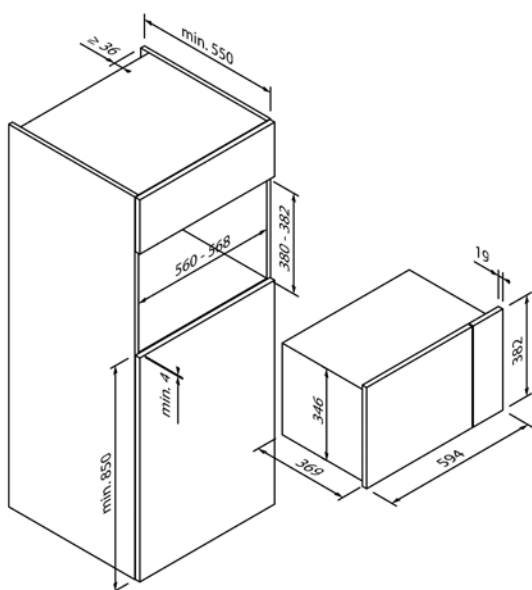
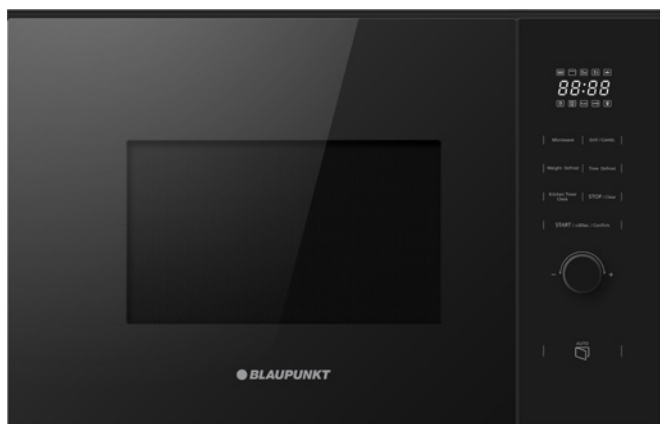




5M38G1640

EG014400



Design	
Colour	Black
Construction type	Built-in appliance for a 60 cm wide tall unit
Door hinge	Left

Microwave functions	
Max. power	900 W
Number of power levels	5
Grill function	•

Operating comfort & equipment	
Operation	Touch control with operating knob
Display / Colour	Digital / White
Door opening	Electronic
Temperature recommendation	•
Defrosting programmes	•
Memory function	•
Cleaning	Hydrolysis
Turntable Ø (in cm)	31,5
Cooking chamber capacity (in litres)	25

Accessories included**	
Accessories included	Glass turntable, Grill grate

Technical data	
Connected load	1,45kW / 230 V
Fuse protection (in A)	10 A
Frequency (in Hz)	50 Hz
Plug type	Type F
Length of connection cable (in cm)	150 cm
Net weight (in KG)	16,4 kg
Gross weight (in KG)	18,0 kg
Dimensions of the packaged appliance (H x W x D)	45,1 x 65,4 x 44,6 cm
Appliance dimensions (H x W x D)	38,2 x 59,4 x 38,8 cm
Installation dimensions (H x W x D)	38,2 x 56,0 x 55,0 cm
EAN	4251003109245

Note	
Note	Lieferbar ab November 2024