



5MA15500 brushed steel
Microwave oven

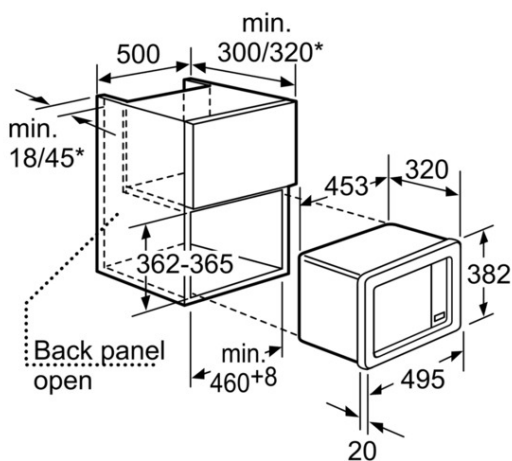


5MA15500 Stainless steel

- For installation into a 50 cm wide wall unit (min. 30 cm deep)
- Simple operating electronics mit Push buttons und Rotary Control, Retractable controls
- 800 W Microwave
- 5 settings: 800 W, 600W, 360W, 180W, 90W
- cookControl - 7 automatic programmes
- 4 defrost programs
- 3 cooking programs
- Memory-Function (1 setting)
- Time-of-day display
- Glass oven door Side-hinge door
- 17 l Stainless steel
- Interior lighting
- 24.5 cm Glass
- Out put power 1.27 kW
- Power cord with plug 130 cm

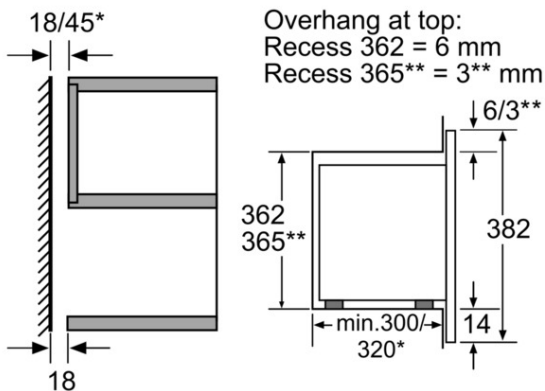
4251003100327

5MA15500 brushed steel Microwave oven



* = values for appliance with grill

Measurements in mm



Overhang at bottom: = 14 mm
* = value for appliance with grill

Measurements in mm

Characteristics

Type of micro-wave oven: MW only
 Type of control: Electronic
 Color / Material Front: Stainless steel
 Dimensions of the product (mm): 280 x 453 x 320
 Cavity dimensions (mm): 194.0 x 290 x 274.0
 Length electrical supply cord (cm): 130
 Net weight (kg): 14.0
 Gross weight (kg): 16.0
 Maximum micro-wave power (W): 800
 Number of Power Levels: 5
 Turntable: Yes
 Heating type: Microwave
 Cavity material: Stainless steel
 Door opening: Button
 Clock: Yes
 Main colour of product: Stainless steel
 Height of the product (mm): 280
 Width of the product (mm): 453
 Depth of the product: 320

Consumption and connection features

Maximum micro-wave power (W): 800
 Power of the booster function (W):
 Connection Rating (W): 1270
 Current (A): 10
 Voltage (V): 230
 Frequency (Hz): 50
 Plug type: GARDY plug w/ earthing
 Universal Product Code:
 Color / Material Front: Stainless steel
 Alternative colors available:
 Approval certificates: CE
 Length of electrical supply cord (in):
 Required cutout/niche size for installation (in): x x
 Appliance Dimensions (h x w x d) (in): x x
 Dimensions of the packed product (in): 17.32 x 17.12 x 21.65
 Net weight (lbs): 31
 Gross weight (lbs): 35

2016-09-02