



<p>SWS16400 Warming drawer Black glass</p> <p>Output, consumption</p> <ul style="list-style-type: none"> • Voltage: 220 – 240 V • Frequency: 50 / 60 Hz • Total connected load: 0.4 kW <p>Oven type, heating type</p> <ul style="list-style-type: none"> • Heating by fan heater • Temperature regulation in 3 levels: from 30 °C – 80 °C • 20.5 l interior volume • Rotary switch on inside <p>Equipment / comfort</p> <ul style="list-style-type: none"> • Black glass front with stainless steel application • Opens without handles by push & pull • Telescopic full extension • Anti-slip mat • Dish pre-heating • Food warm-keeping function • Defrosting of frozen food • Load capacity 15 kg <p>Technical data and dimensions</p> <ul style="list-style-type: none"> • Appliance dimensions(H x W x D): 140 x 594 x 542 mm • Installation dimensions(H x W x D): 140 x 560 – 568 x 550 mm • Length of connection cable: 175 cm • „dimensions and installation instructions for this device in accordance with the technical drawing“

<p>Optional accessories:</p>

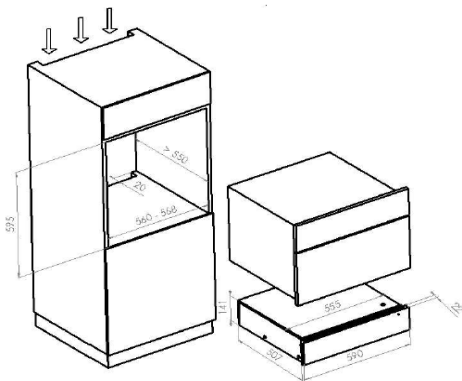
<p>BLAUPUNKT</p> <p>Features:</p> <ul style="list-style-type: none"> • Front color: Black glass with stainless steel application • Type: built-in • Niche dimensions: 140 x 594 x 542 mm • Dimensions of the device: 140 x 560-568 x 550 mm • Material of the door: glass with stainless steel application • Approval certificates: CE, VDE • Length of connection cable: 175 cm

<p>Available color options:</p>

<p>Consumption and connection values:</p> <ul style="list-style-type: none"> • Electrical connection value: 3350 W • Voltage: 220-240 V • Frequency: 50/60 Hz • Plug type: Schuko / Gardy.m. grounding • Front color: glass with stainless steel application • Energy Source: Electric • Approval certificates: CE, VDE • Length of connecting cable: 175 cm • Niche dimensions: 140 x 594 x 542 mm • Dimensions of the device: 140 x 560-568 x 550 mm • Net weight: 30.86 lbs • Gross weight: 44.09 lbs • Net weight: 14 Kg • Gross weight: 20 Kg

<p>Accessories:</p>

EAN-Nr.: 4251003102420



Dimensions in mm