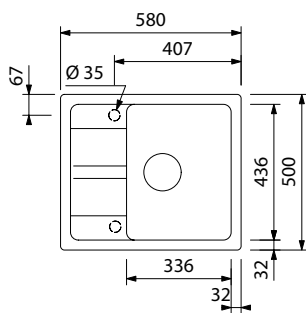


Inset sink

Alento SAG6600CE

ES1390



Design	
Material	Quarz composite
Surface finish	–
Available colors*	Black Granite (100), Dark Grey (110), Light Grey (120)
Available colors matt*	
Available colors glossy*	

Construction type	
Top mounted	•
Flush-mounted	–
Flat edge	–
Built-under sink	–
Reversible	•

Operating comfort & equipment	
Operation	Rotate button
Drain	Sieve basket valve 3½"
Drilling / Rated break points	With rated break points for fitting and excenter

Accessories included**	
Accessories included	Synthetic overflow set (without siphon)

Technical data	
Sink bowl height	19 cm
Sink base units min. required	45 cm
External dimensions (W x D)	58,0 x 50,0 cm
Net weight (in KG)	
Gross weight (in KG)	
Sink dimensions packaged (H x W x D)	
EAN	4251003109702

Note	
Note	